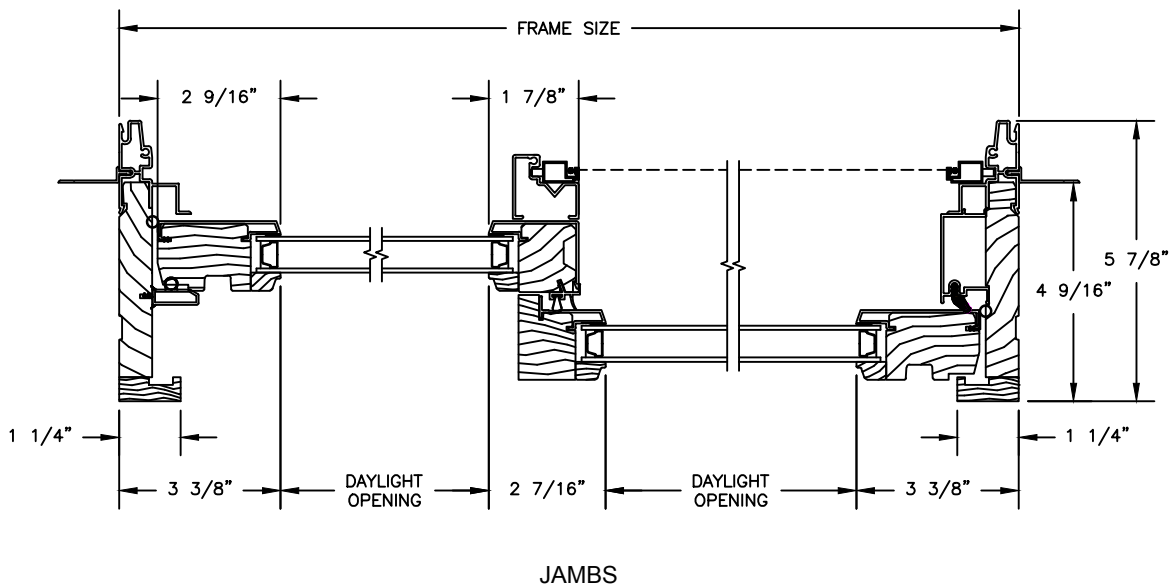
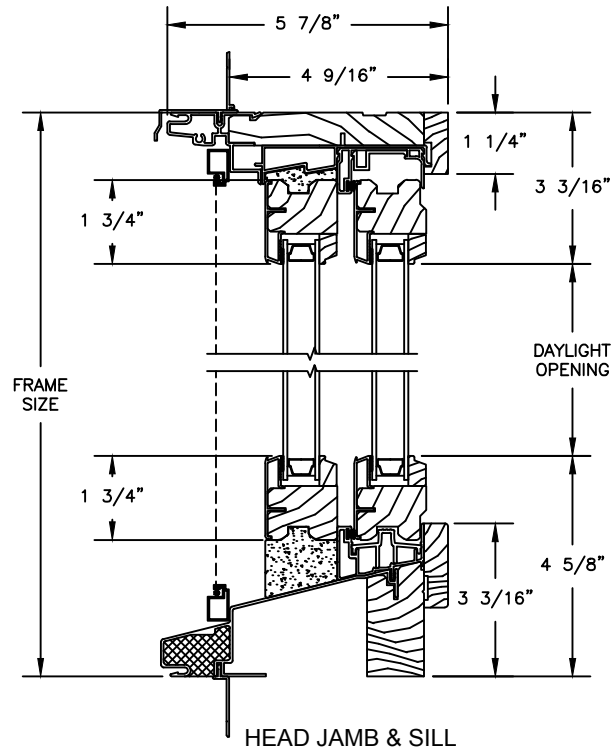


Pinnacle Series

CLAD GLIDE-BY

SECTION DETAILS

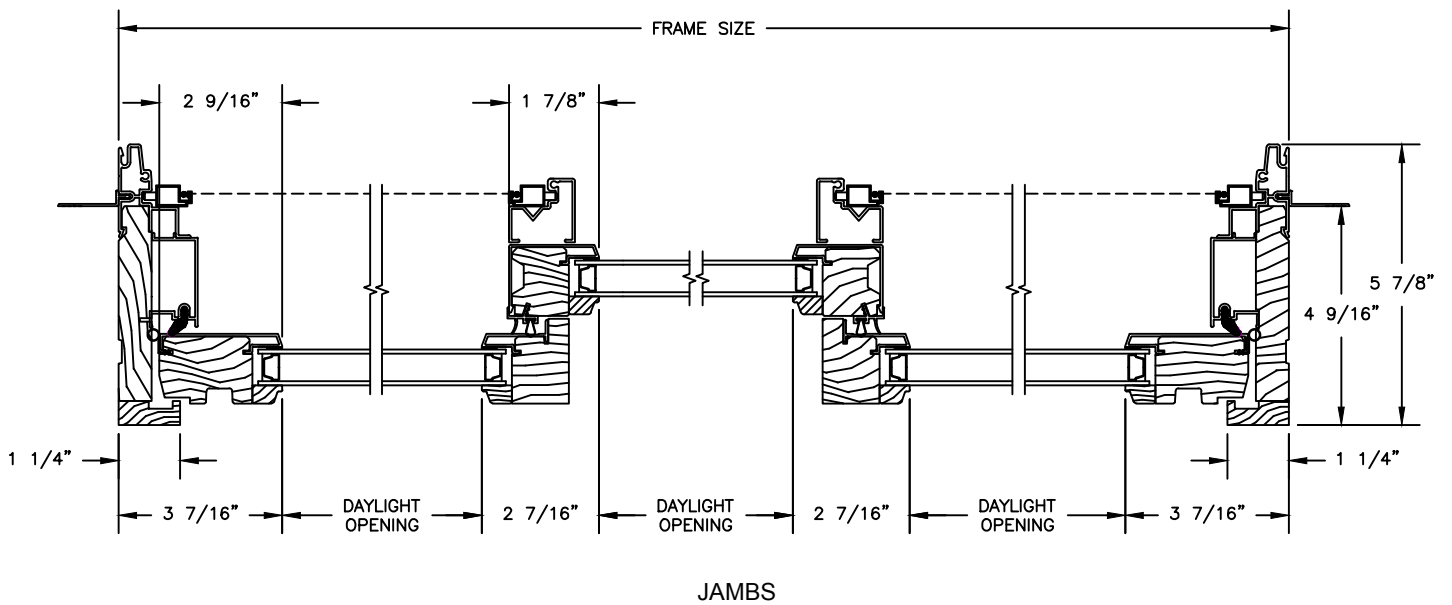
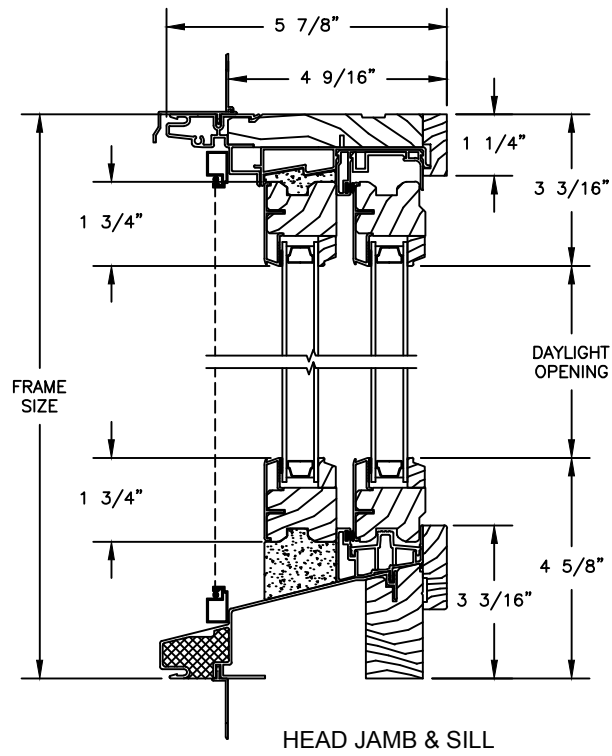
SCALE: 3" = 1'-0"



Pinnacle Series

CLAD GLIDE-BY TRIPLE

SECTION DETAILS
SCALE: 3" = 1'-0"

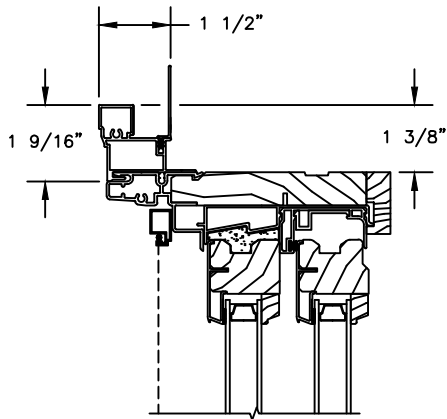


Pinnacle Series

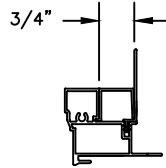
CLAD GLIDE-BY

SECTION DETAILS : CASING OPTIONS

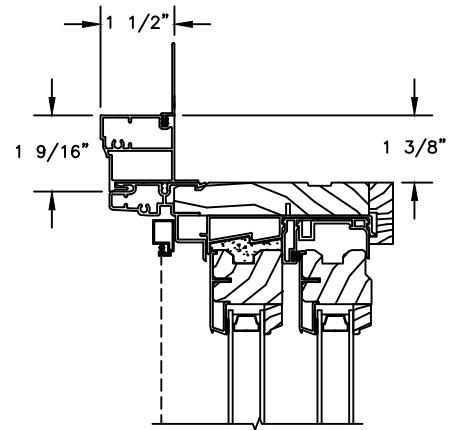
SCALE: 3" = 1'-0"



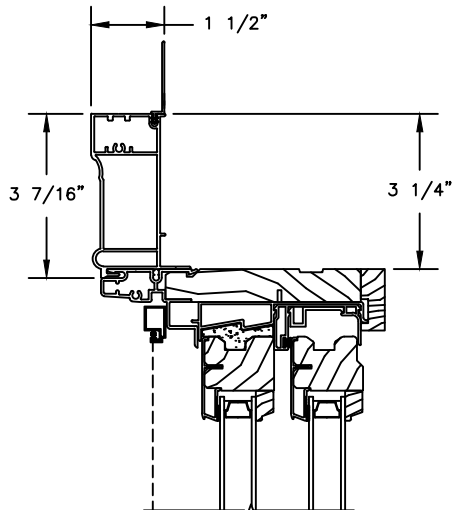
HEAD JAMB WITH
CLAD 180 BRICKMOULD CASING



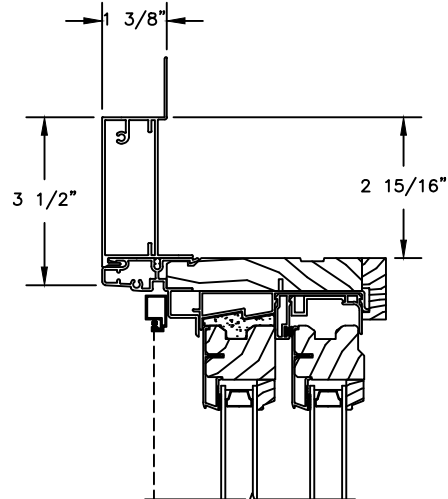
CLAD BRICKMOULD CASING
WITH OPTIONAL J-CHANNEL COVER



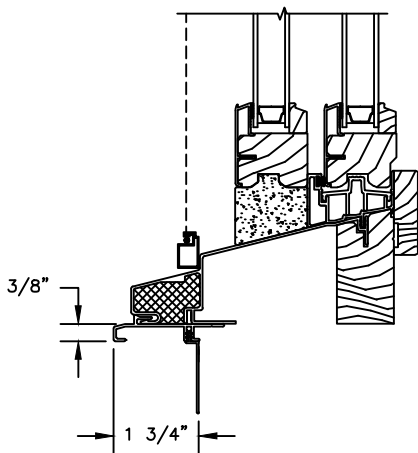
HEAD JAMB WITH
CLAD SQUARE BRICKMOULD CASING



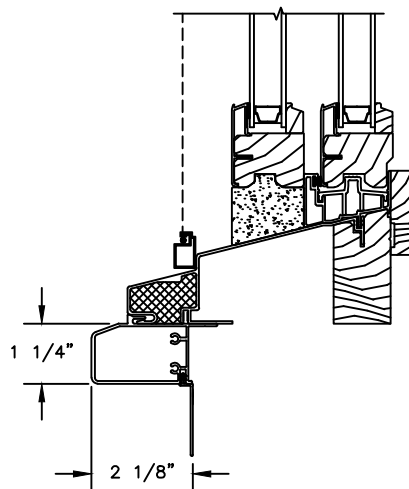
HEAD JAMB WITH
CLAD WILLIAMSBURG CASING



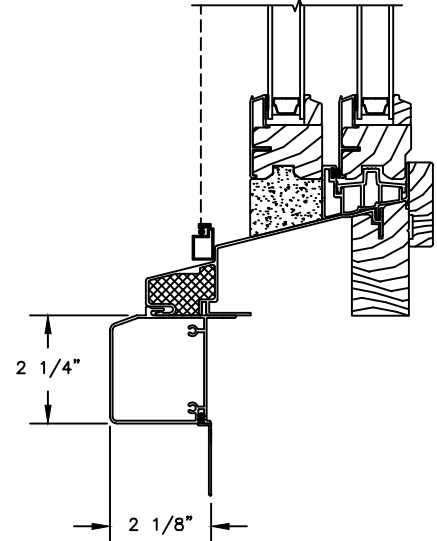
HEAD JAMB WITH
3 1/2" CLAD FLAT CASING



SILL WITH
3/8" CLAD SUBSILL



SILL WITH
1 1/4" CLAD SUBSILL



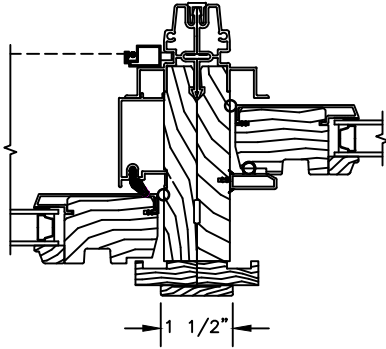
SILL WITH
2 1/4" CLAD SUBSILL

Pinnacle Series

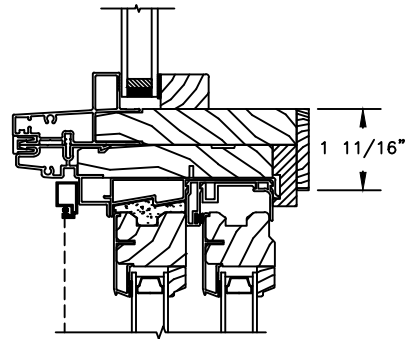
CLAD GLIDE-BY

SECTION DETAILS : MULLIONS

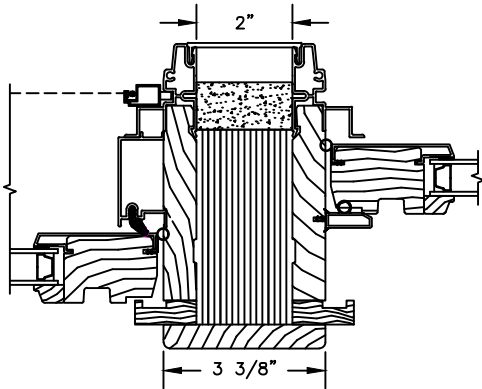
SCALE: 3" = 1'-0"



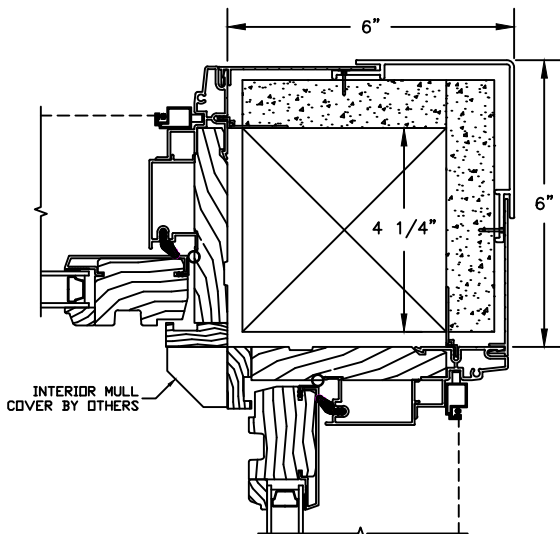
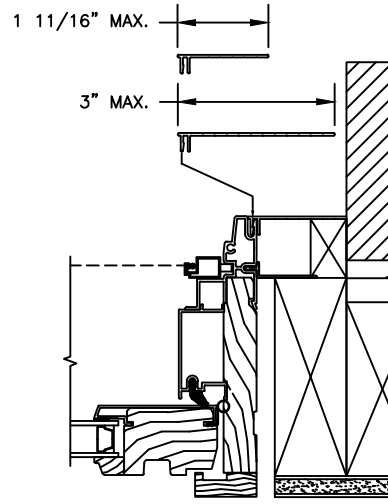
VERTICAL MULLION
OPERATOR/OPERATOR



HORIZONTAL MULLION
RADIUS/OPERATOR



VERTICAL MULLION WITH
2" SPREAD MULL
ADDITIONAL WIDTHS INCLUDE:
1", 2", 2 1/2", 3", & 4"



90° MULLION
OPERATOR/OPERATOR

(ONLY USED WITH 4 9/16" JAMB & 3 1/4" FRAME EXPANDER)

NOTE :
FOR INFORMATION ON STRUCTURAL MULLIONS REFER TO
THE PRODUCT PERFORMANCE AND INFORMATION SECTION.

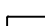
Pinnacle Series

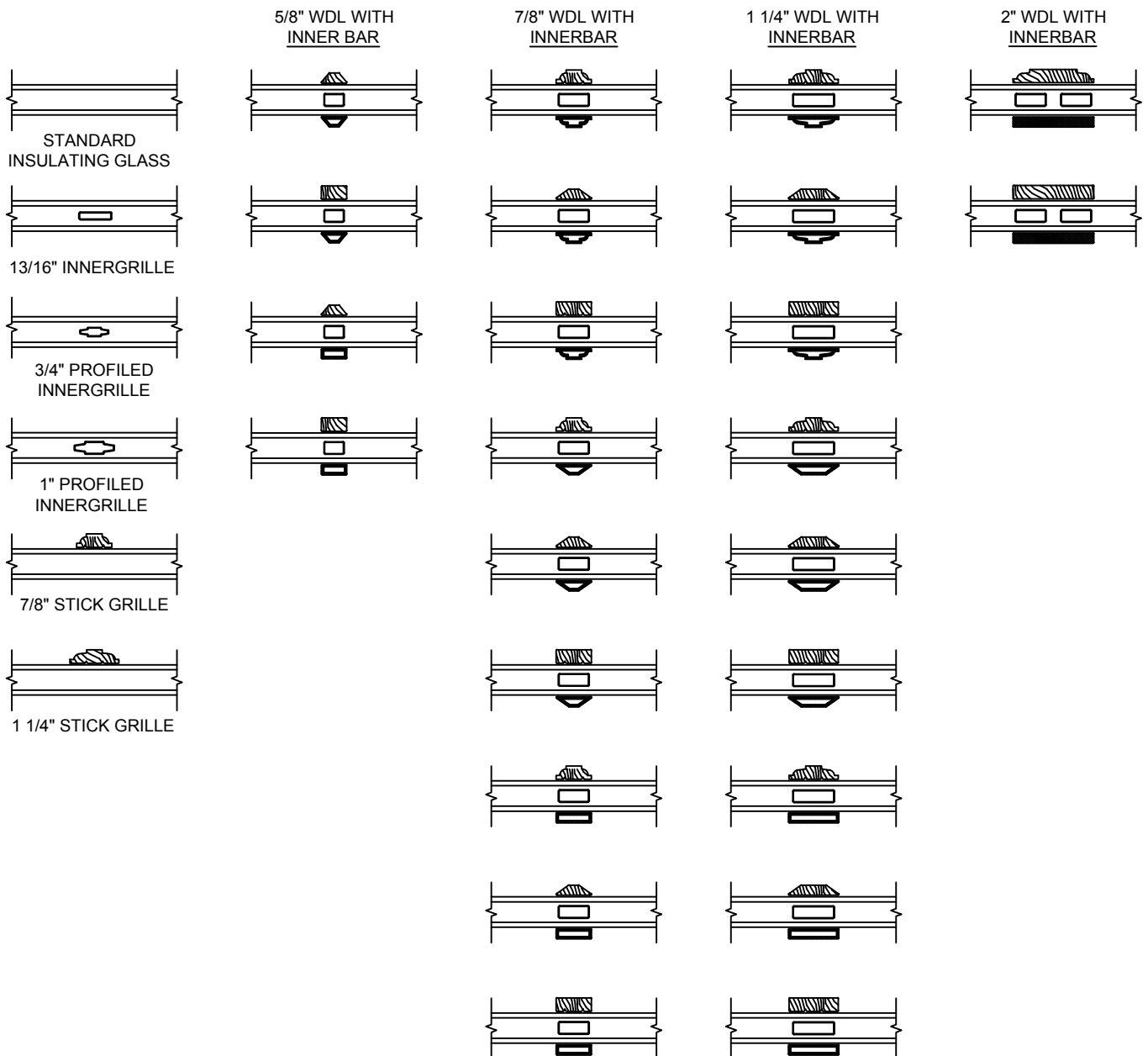
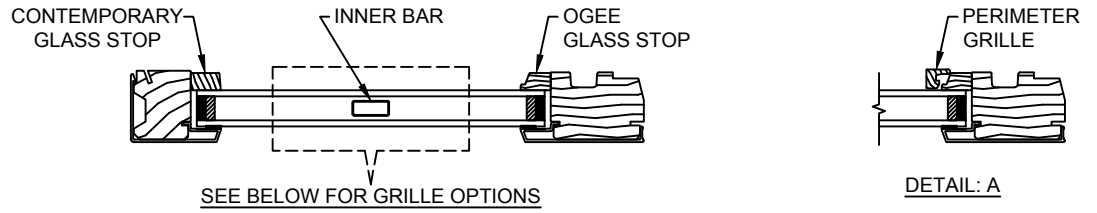
CLAD GLIDE-BY

SECTION DETAILS : GLASS STOP & DIVIDED LITE OPTIONS

SCALE: 3" = 1'-0"

AVAILABLE STYLES

-  - PUTTY
-  - OGEE
-  - CONTEMPORARY



NOTE:

* ALL WDL OPTIONS CAN BE ORDERED WITH OR WITHOUT INNER BAR

* PERIMETER GRILLES ONLY AVAILABLE IN THE 7/8" AND 1 1/4" OGEE STYLE GLASS STOP (SEE DETAIL: A)

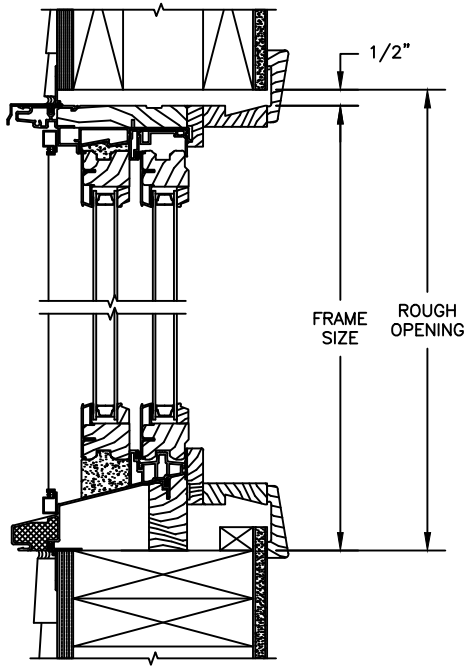
8/5/19

Pinnacle Series

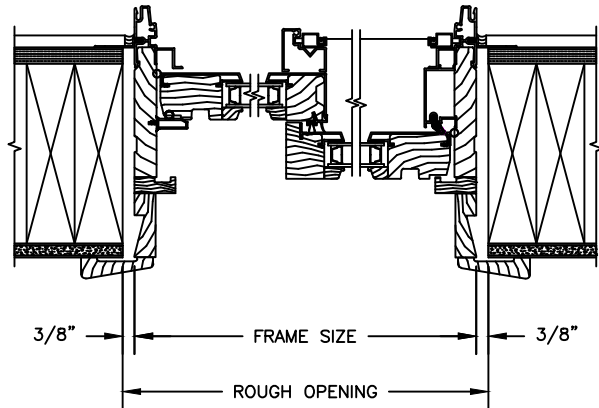
CLAD GLIDE-BY

SECTION DETAILS : CONSTRUCTION

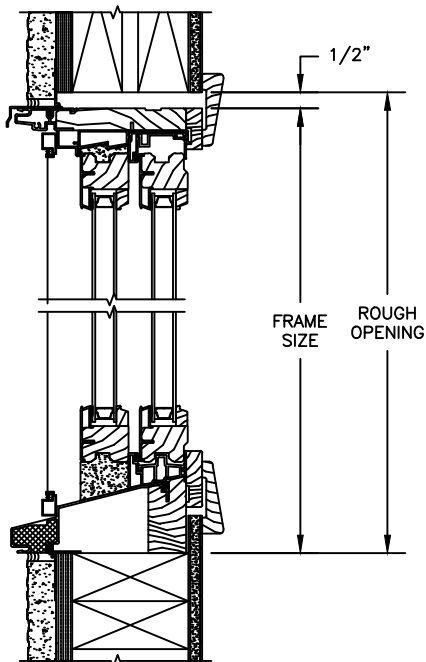
SCALE: 2" = 1'-0"



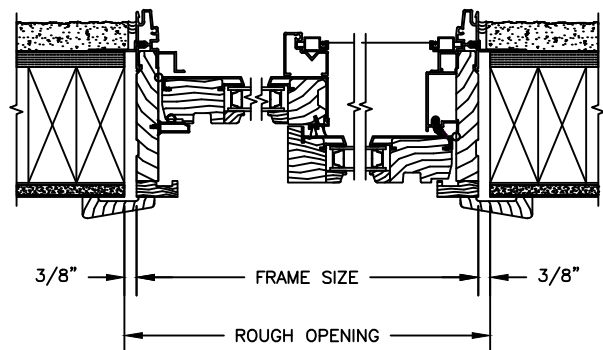
HEAD JAMB & SILL
2 X 6 FRAME WITH SIDING



HEAD JAMB & SILL
2 X 6 FRAME WITH SIDING



HEAD JAMB & SILL
2 X 4 FRAME WITH STUCCO



JAMBS
2 X 4 FRAME WITH STUCCO

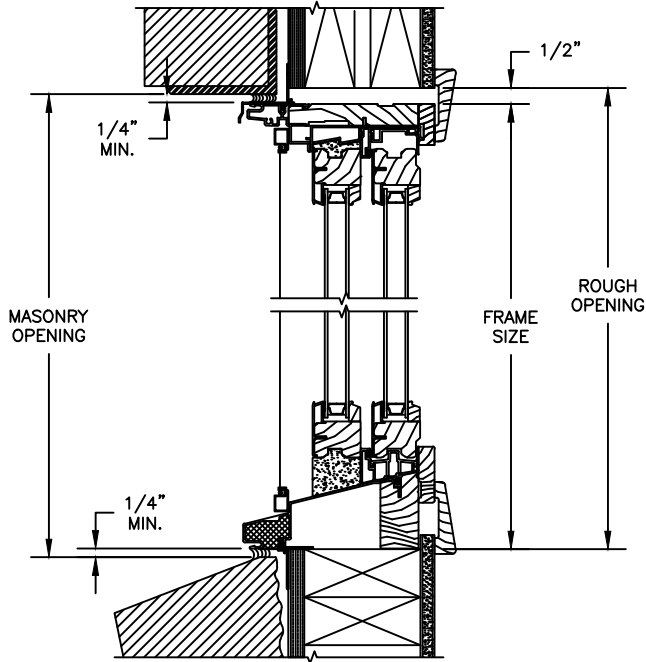
NOTE:
THE ABOVE WALL SECTIONS REPRESENT TYPICAL WALL CONDITIONS, THESE DETAILS ARE NOT INTENDED AS INSTALLATIONS INSTRUCTIONS. PLEASE REFER TO THE INSTALLATION INSTRUCTIONS PROVIDED WITH THE PURCHASED UNITS.

Pinnacle Series

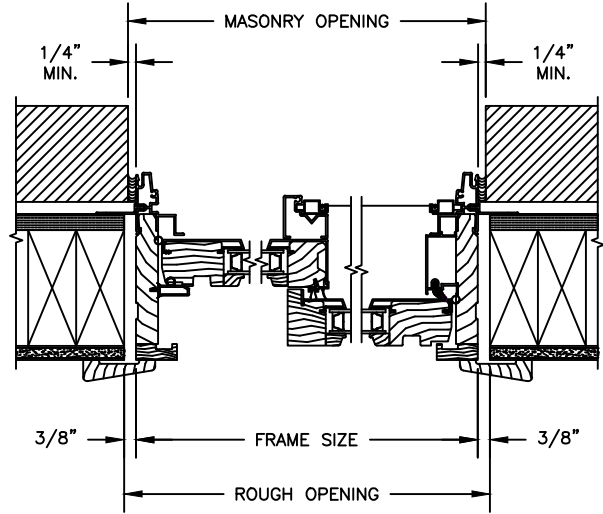
CLAD GLIDE-BY

SECTION DETAILS : CONSTRUCTION

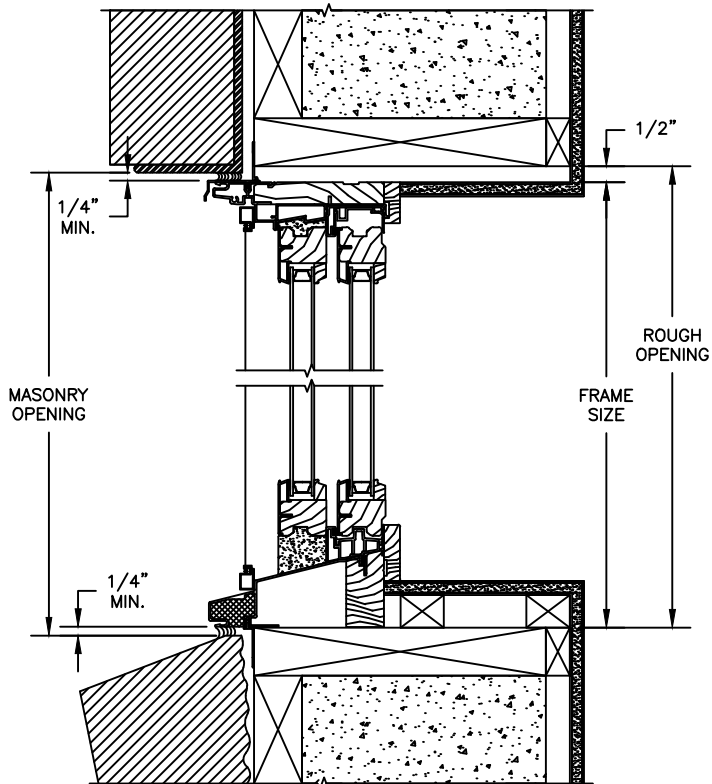
SCALE: 2" = 1'-0"



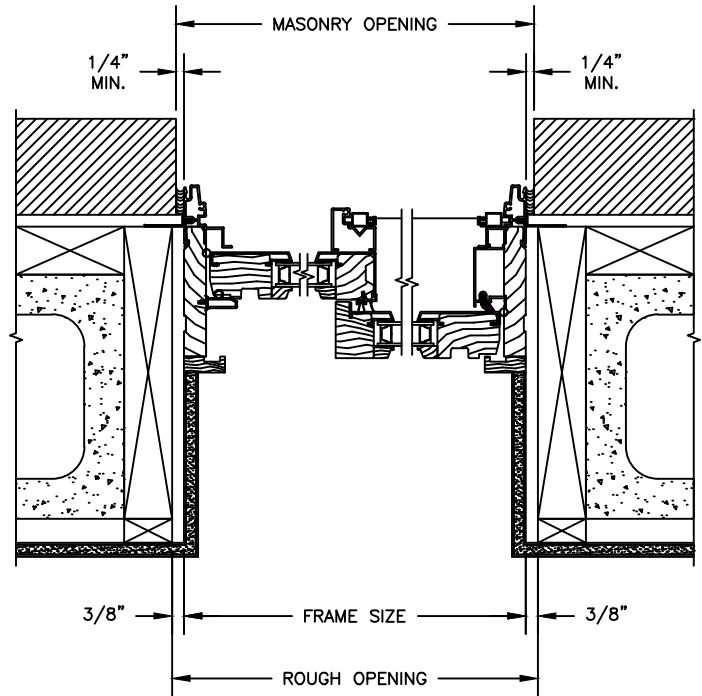
HEAD JAMB & SILL
2 X 4 FRAME WITH BRICK VENEER



JAMBS
2 X 4 FRAME WITH BRICK VENEER



HEAD JAMB & SILL
8" CONCRETE BLOCK WALL
WITH BRICK VENEER



JAMBS
8" CONCRETE BLOCK WALL
WITH BRICK VENEER