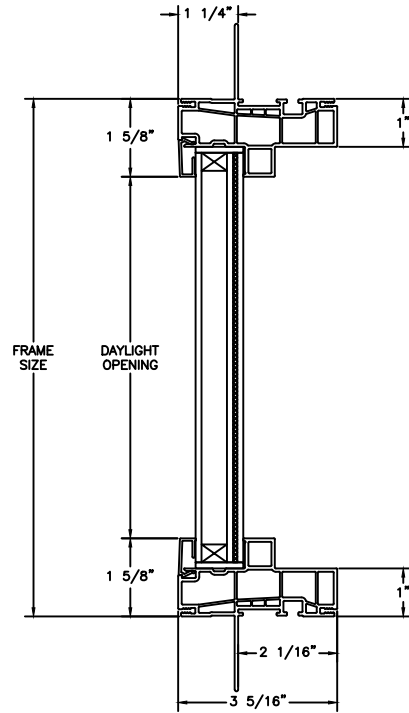


# Next Dimension Series

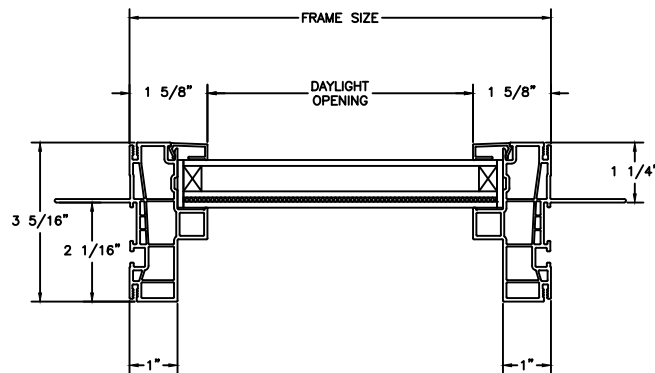
## IMPACT DIRECT SET (INCLUDES RADIUS)

SECTION DETAILS

SCALE: 3" = 1'-0"



HEAD JAMB & SILL



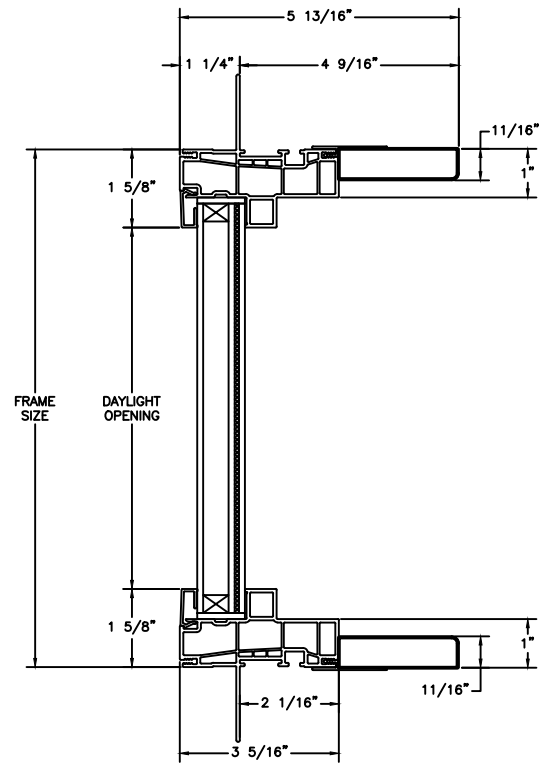
JAMBS

# Next Dimension Series

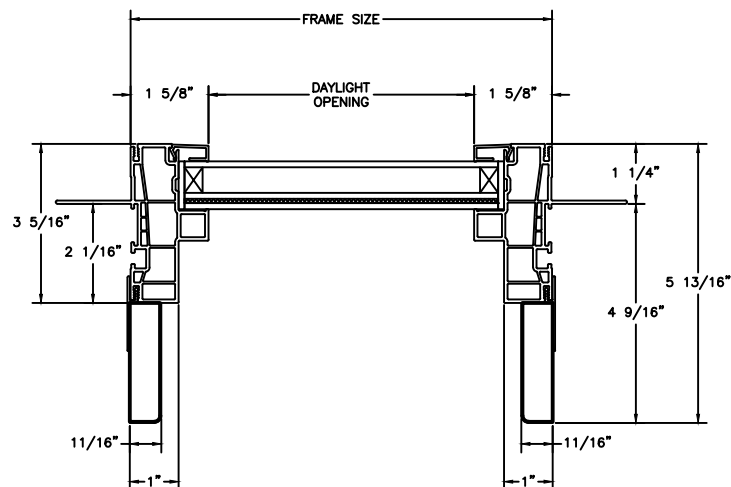
## IMPACT DIRECT SET (INCLUDES RADIUS)

SECTION DETAILS (4 9/16" JAMB)

SCALE: 3" = 1'-0"



HEAD JAMB & SILL



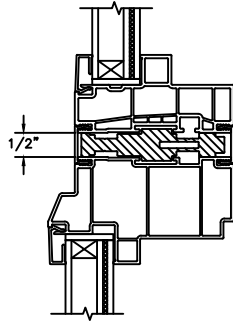
JAMBS

# Next Dimension Series

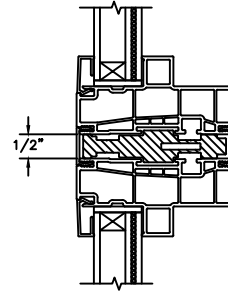
## IMPACT DIRECT SET (INCLUDES RADIUS)

SECTION DETAILS: MULLIONS

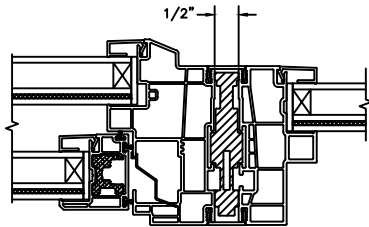
SCALE: 3" = 1'-0"



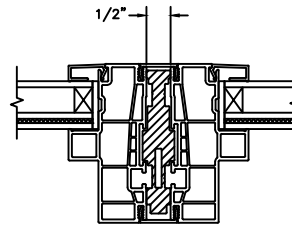
HORIZONTAL 1/2" MULLION  
RADIUS/OPERATOR



HORIZONTAL 1/2" MULLION  
RADIUS/RADIUS



VERTICAL 1/2" MULLION  
OPERATOR/RADIUS



VERTICAL 1/2" MULLION  
RADIUS/RADIUS

# Next Dimension Series

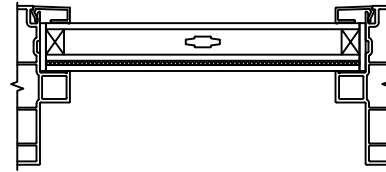
## IMPACT DIRECT SET (INCLUDES RADIUS)

SECTION DETAILS : DIVIDED LITE OPTIONS

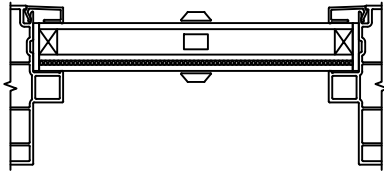
SCALE: 3" = 1'-0"



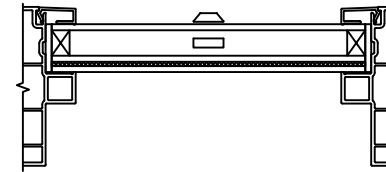
INSULATING GLASS



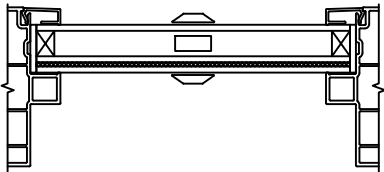
3/4" PROFILED INNERGRILLE



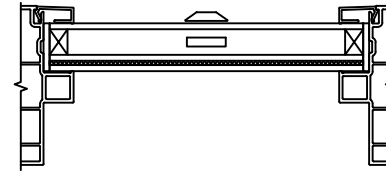
5/8" GRILLE BAR  
WITH INNERBAR



5/8" GRILLE BAR (EXTERIOR ONLY)  
WITH 5/8" FLAT INNERGRILLE



7/8" GRILLE BAR  
WITH INNERBAR



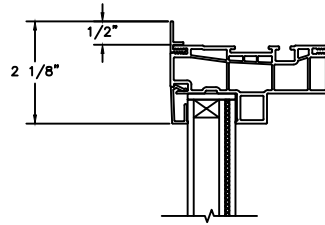
7/8" GRILLE BAR (EXTERIOR ONLY)  
WITH 13/16" FLAT INNERGRILLE

# Next Dimension Series

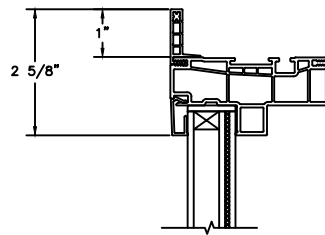
## IMPACT DIRECT SET (INCLUDES RADIUS)

SECTION DETAILS : FLUSH FIN OPTIONS

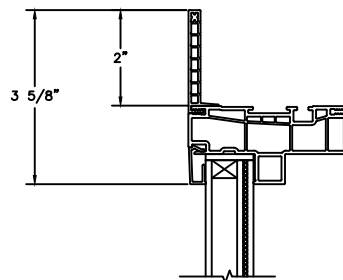
SCALE: 3" = 1'-0"



1/2" FLANGE



1" FLANGE

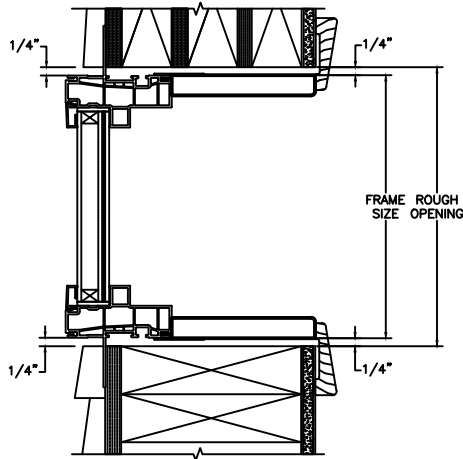


2" FLANGE

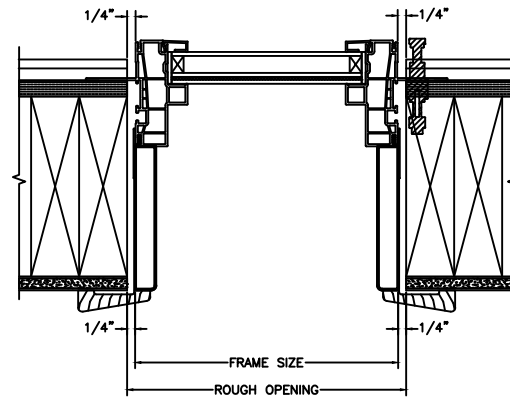
# Next Dimension Series

## IMPACT DIRECT SET (INCLUDES RADIUS)

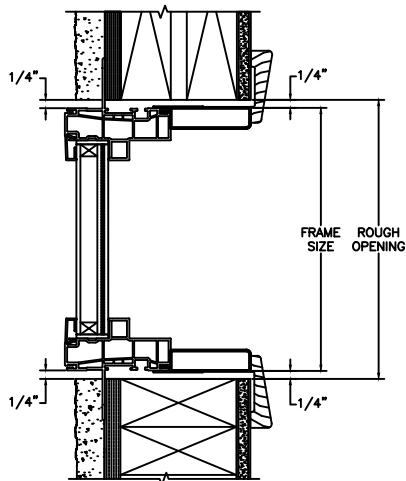
SECTION DETAILS : CONSTRUCTION  
 SCALE: 2" = 1'-0"



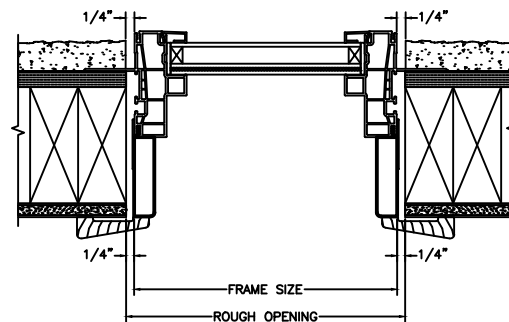
HEAD JAMB & SILL  
 2 X 6 FRAME WITH SIDING



JAMBS  
 2 X 6 FRAME WITH SIDING



HEAD JAMB & SILL  
 2 X 4 FRAME WITH STUCCO



JAMBS  
 2 X 4 FRAME WITH STUCCO

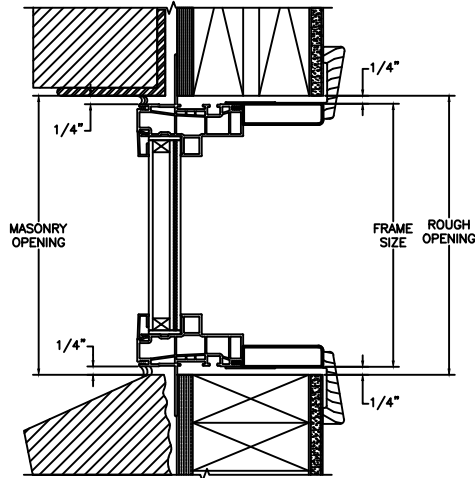
NOTE :  
 THE ABOVE WALL SECTIONS REPRESENT TYPICAL WALL CONDITIONS, THESE DETAILS ARE NOT INTENDED AS INSTALLATIONS INSTRUCTIONS. PLEASE REFER TO THE INSTALLATION INSTRUCTIONS PROVIDED WITH THE PURCHASED UNITS.

# Next Dimension Series

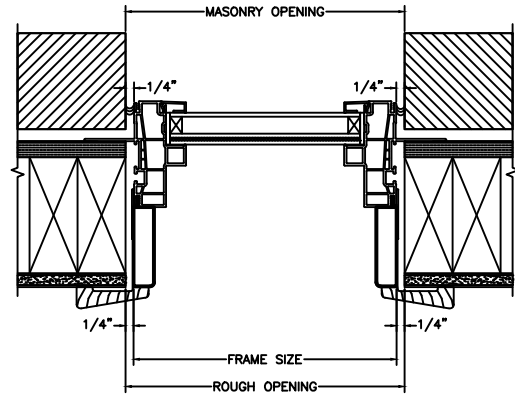
## IMPACT DIRECT SET (INCLUDES RADIUS)

SECTION DETAILS : CONSTRUCTION

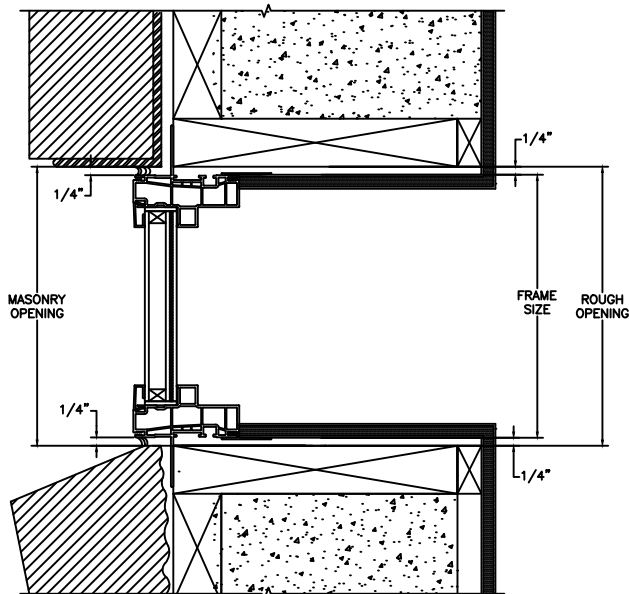
SCALE: 2" = 1'-0"



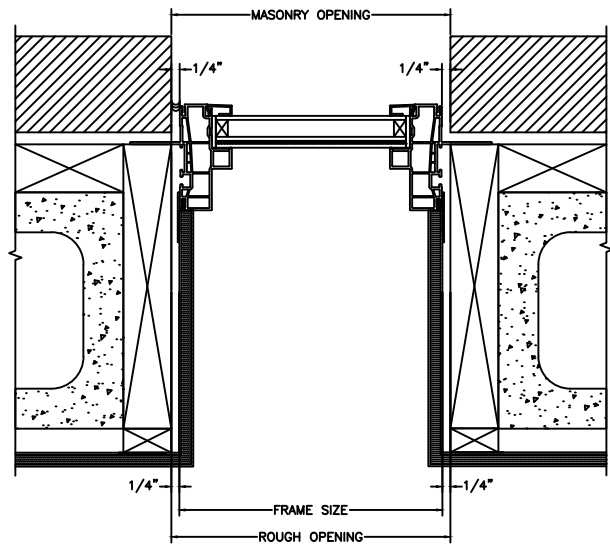
HEAD JAMB & SILL  
2 X 4 FRAME WITH BRICK VENEER



JAMBS  
2 X 4 FRAME WITH BRICK VENEER



HEAD JAMB & SILL  
8" CONCRETE BLOCK WALL  
WITH BRICK VENEER



JAMBS  
8" CONCRETE BLOCK WALL  
WITH BRICK VENEER

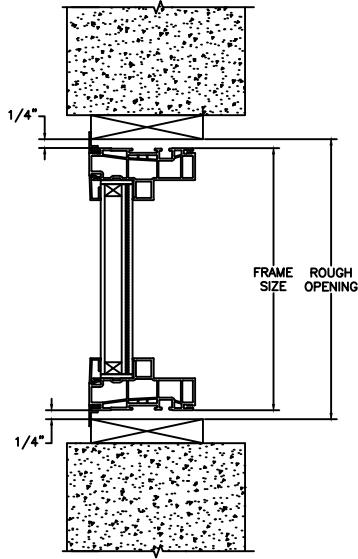
NOTE :  
THE ABOVE WALL SECTIONS REPRESENT TYPICAL WALL CONDITIONS, THESE DETAILS ARE NOT INTENDED AS INSTALLATIONS INSTRUCTIONS. PLEASE REFER TO THE INSTALLATION INSTRUCTIONS PROVIDED WITH THE PURCHASED UNITS.

# Next Dimension Series

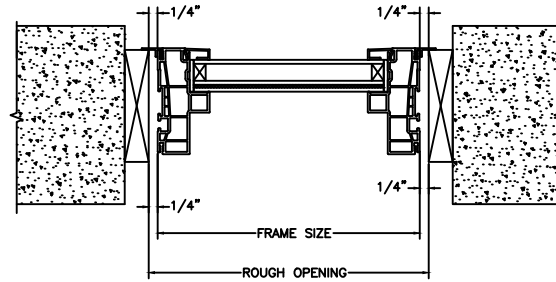
## IMPACT DIRECT SET (INCLUDES RADIUS)

SECTION DETAILS : CONSTRUCTION (FLANGE OPTION)

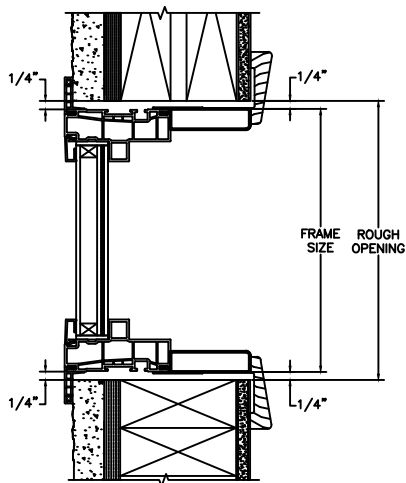
SCALE: 2" = 1'-0"



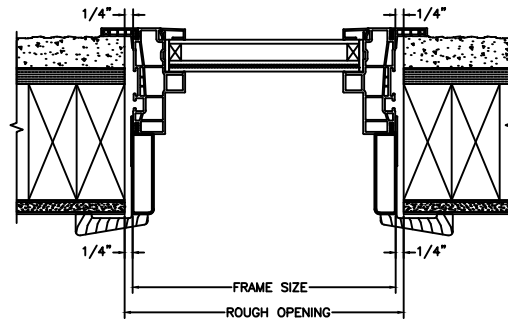
HEAD JAMB & SILL  
BLOCK WALL WITH 1 X 4  
1/2" FLANGE OPTION



JAMBS  
BLOCK WALL WITH 1 X 4  
1/2" FLANGE OPTION



HEAD JAMB & SILL  
2 X 4 FRAME WITH STUCCO  
1" OR 2" FLANGE OPTION



JAMBS  
2 X 4 FRAME WITH STUCCO  
1" OR 2" FLANGE OPTION

NOTE:  
THE ABOVE WALL SECTIONS REPRESENT TYPICAL WALL CONDITIONS, THESE DETAILS ARE NOT INTENDED AS INSTALLATION INSTRUCTIONS. PLEASE REFER TO THE INSTALLATION INSTRUCTIONS PROVIDED WITH THE PURCHASED UNITS.