

Installation Guidelines



FOR PINNACLE SELECT BI-FOLD PATIO DOORS

Installer

- Read instructions completely before attempting installation. Failure to follow these guidelines will forfeit all warranties (written or implied). Windsor Windows & Doors will not be held responsible for any claims or damages resulting from installation.
- Always provide a copy of these instructions to the homeowner.
- Contact your architect or construction professional for installation into other building designs or construction methods.
- Structural support of the sill is required to support the entire sill width, and depth of the sill's interior edge, to the exterior nose of the sill extrusion. If the architect's details do not include this type of structural support, a structural support must be installed and flashed.
- Regional codes and environmental conditions may require installation that is different from these guidelines. It is your responsibility to ensure that local codes and ordinances are followed.

Warning

- ⚠ **Work Safe!** Always wear proper eye and hearing protection when installing or adjusting Windsor products.
- ⚠ **Use Power Tools Properly!** To avoid personal injury, always follow manufacturers' instructions for safe operation of power tools.
- ⚠ **Ladder Safety!** Working at elevated levels can be hazardous. Always use ladders and scaffolding properly. Consult manufacturers' guidelines for safe use of these types of equipment.

Important

- Windsor reserves the right to change the information contained in these guidelines without notice.
- Maintain a minimum of 1/4" between the door frame and any trim, siding or masonry.
- Use of Windsor products in barrier EIFS systems (synthetic stucco) is not recommended. To do so will forfeit all warranties (written or implied). Windsor Windows & Doors will not be held responsible for any claims or damages resulting from water infiltration.
- Steel fasteners will corrode when used with ACQ pressure treated lumber. Use corrosion resistant fasteners (such as stainless steel) when installing doors in or around these types of materials.
- Doors must be properly flashed and sealed around the perimeter.

Handling and Storage

- Always carry door panels upright. Do not carry flat! Doing so could result in damage to the panels.
- Do not store units outside.

ATTENTION! ARBITRATION AGREEMENT; JURY TRIAL WAIVER; CLASS ACTION WAIVER. By purchasing, installing, or using this product, you agree to arbitrate any dispute you may have with Windsor relating to your Windsor products, and to waive your rights to a jury trial and to participate in class-action or class-arbitration proceedings, relating to any such disputes. For more details, and to learn how **YOU CAN OPT OUT OF THIS ARBITRATION AGREEMENT AND THESE WAIVERS**, please go to www.windsorwindows.com/support/Dispute-Resolution.

Lead Paint and Existing Window or Door Disposal:

Before any remodel or renovation, make sure to identify any potential lead paint issues and take necessary steps to reduce the risk of lead contamination.

The U.S. Environmental Protection Agency (EPA) has issued a “Lead Renovation, Repair and Painting Rule (RRP)” for remodelers of older homes and buildings. This rule requires training and certification in lead-safe work practices for firms performing renovation, repair or painting on homes and child-occupied facilities built prior to 1978.

For more information regarding procedures for dealing with lead paint, please visit EPA’s website at www.epa.gov/lead.

When removing existing windows or doors, make sure to wear appropriate personal protective equipment. Extra precautions should be taken to protect others and property within the vicinity and below the removal window and surrounding components.

Consult with local waste authorities on the proper recycling or disposal of old window or door components.

Overview of Pinnacle Select Bi-Fold Doors

Folding door or bi-fold systems, are a popular choice for maximizing openings (up to 90%) without the need for pocketed areas. Featuring a top-hung design, the system panels slide and stack perpendicular against one or both of the opening jambs similar to an accordion or z-fold motion.

Opening the system stacks the panels together (accordion-style), taking approximately 10% of the available space in the entryway. With the remaining 90% available space, Folding Door Systems are ideal for frequent high foot-traffic areas or for creating spacious, uninterrupted views.

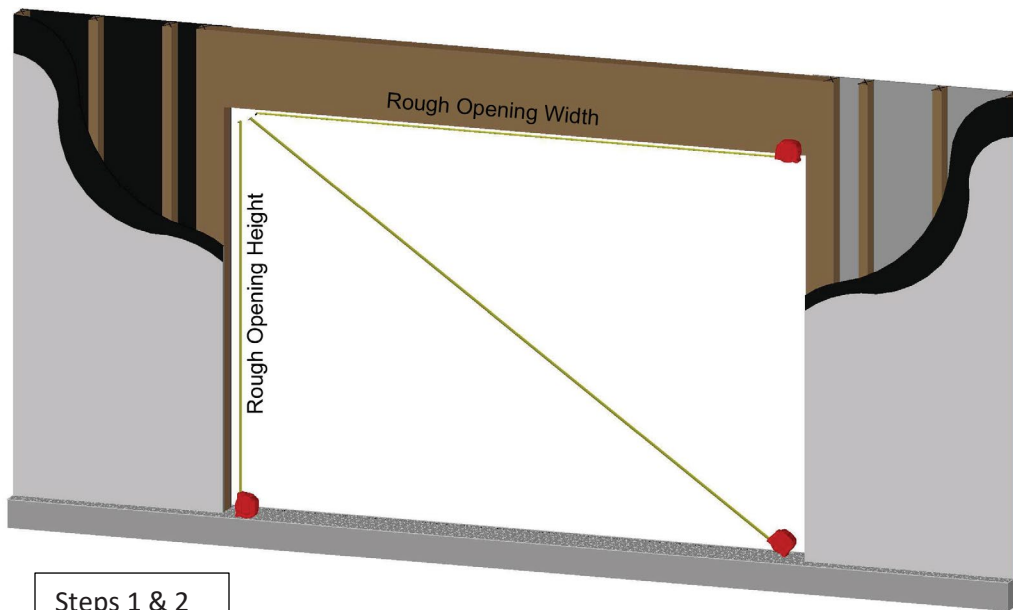
RECOMMENDED TOOLS (NOT SUPPLIED):

- Carpenter’s Level (Optional: Laser Level)
- Wrench or Ratchet
- Rubber Mallet
- Tape Measures
- Caulking Gun and Sealant
- Self-Leveling Epoxy
- Power Drill

INCLUDED PARTS:

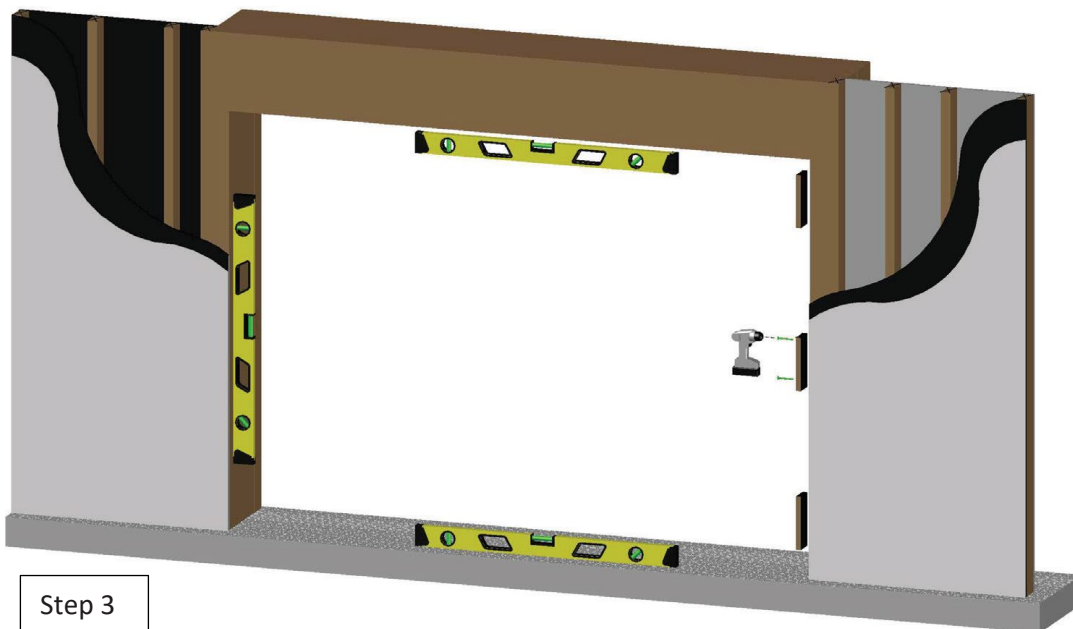
- Hinge Pins
- Hinge Washers
- Magnet (for flag doors)
- Head Cover (access port)
- Installation Screws

Part 1: Prepare the Opening



Steps 1 & 2

1. Prior to checking the dimensions for the systems, ensure that the opening is square and plumb at the size stated in your order.
2. Using a tape measure, check the height, width, and the diagonal dimension across the opening.
3. Placing the header track and side frames into the opening, check to see that you have at least 1/2" shim space on both ends. ***Shimming & leveling the system properly is highly important, do not over or under shim.***



Step 3

Once you are sure that the header and side frames fit properly, it is time to prepare the opening for the new system. If the opening needs to be shimmed, go ahead and apply the shims as necessary. There should still be at least 1/2" of clearance around the entire system. Check the entire opening to ensure that the opening is level and square. This is one of the most important steps to ensure proper operation of the new system and should not be skipped.

Part 2: Preparing the Top Track, Side Frame, and Bottom Track for Installation

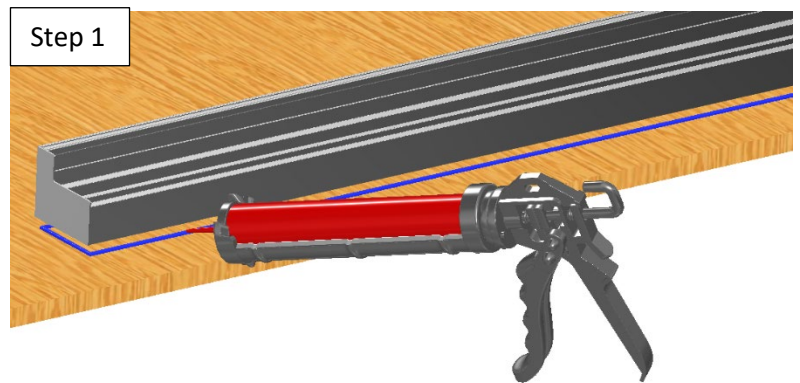
The anchorage and leveling of the top and bottom track are highly important to ensure proper operation and life span of the Folding System(s) since they are weight driven and top loaded. Please keep in mind that pilot holes are already pre-drilled in the headers, side frames, and bottom tracks for anchor bolts. It is highly important that the rough opening and substrate is level, clean, and free of debris prior to installation of the system track. Be sure to use the proper size anchorage bolts to allow clearance for the wheels to glide freely throughout the system's tracks (4" Installation wood screws will be provided with this system; other anchorage bolts will be the customer's responsibility). Fasteners and substrate need to be capable of withstanding reaction forces by wind. Windsor Windows & Doors is not responsible for this preparation.

Part 3: Bottom Track Installation

The bottom track is cut to the exact size of the overall system width. Windsor Windows & Doors does not recommend any modifications to be made to this system.

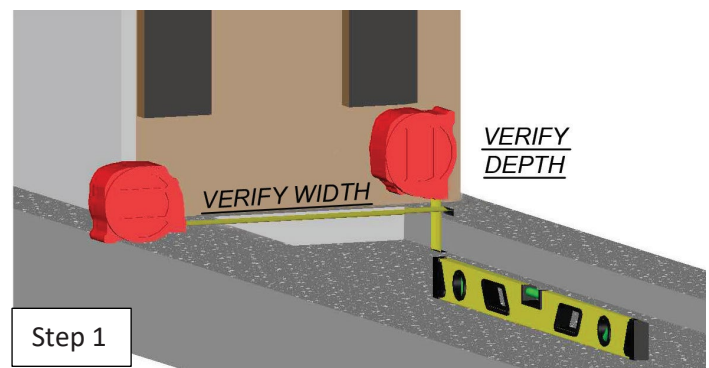
FOR 2 3/8" SURFACE MOUNT SILL:

1. Install bottom track in construction sealant on finished floor. Ensure track is level and in-line with side frame locations.
2. Secure track using the screws provided and epoxy seal all screw heads.



FOR 3/4" AND 1 1/2" RECESSED TRACK:

1. Double check the trench depth and width with the actual bottom track provided. The trench depth should have an extra 1/2" shim space provided below the track system setup. *Depth varies due to different track types.
2. Insert Track into floor depression to assure the sizing is correct. Make sure the track is the same size all the way from end to end from edge of slab.
3. Shim the bottom track if necessary.
4. Anchor the track.
5. Backfill with grout.

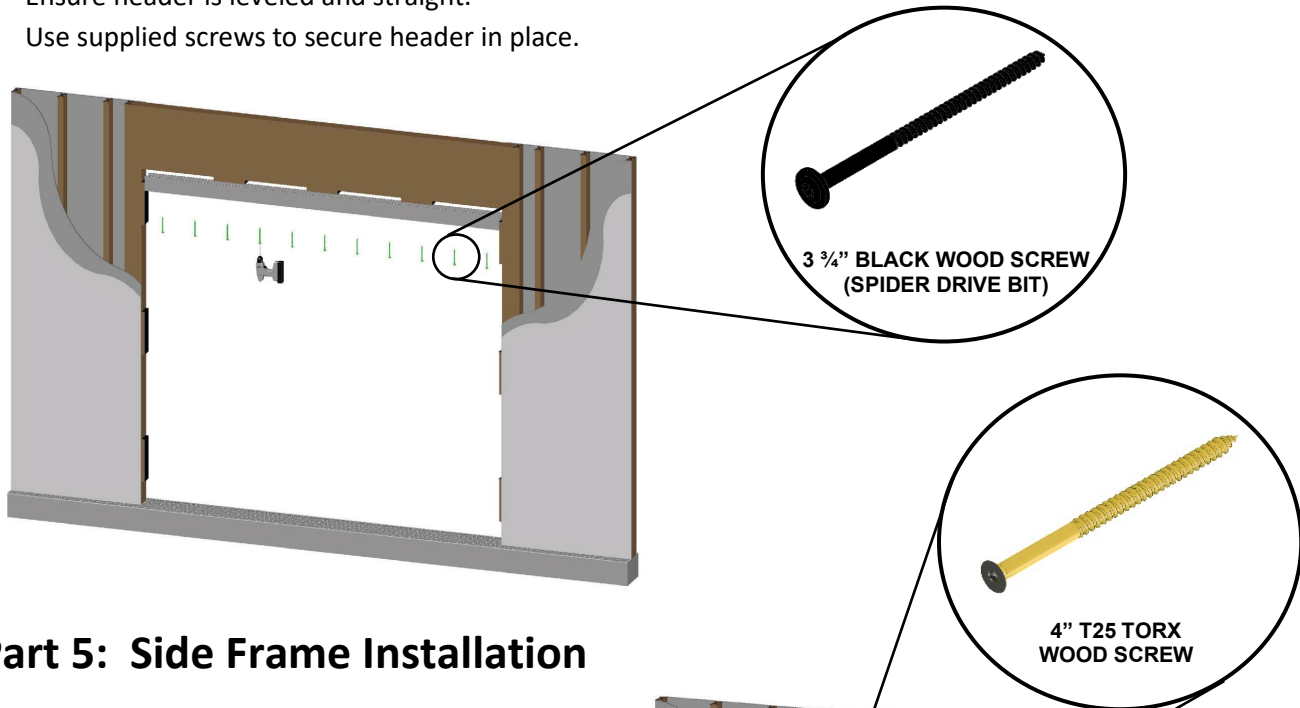


Note: Different anchors may be required depending on substrate.

Part 4: Frame (Header) Installation

Windsor Windows & Doors is not responsible for the support structure which the system will be attached to. Please ensure that the General Contractor waterproofs the area prior to installation.

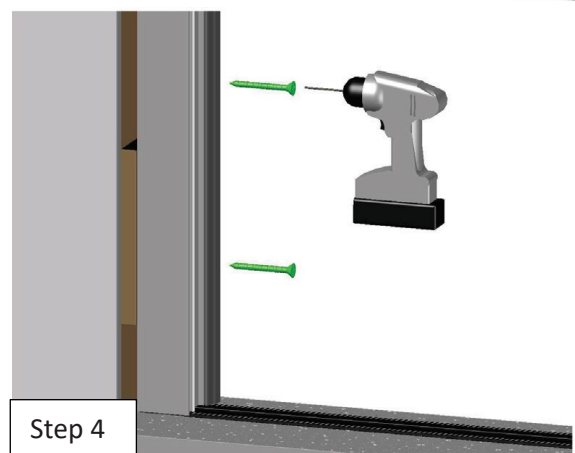
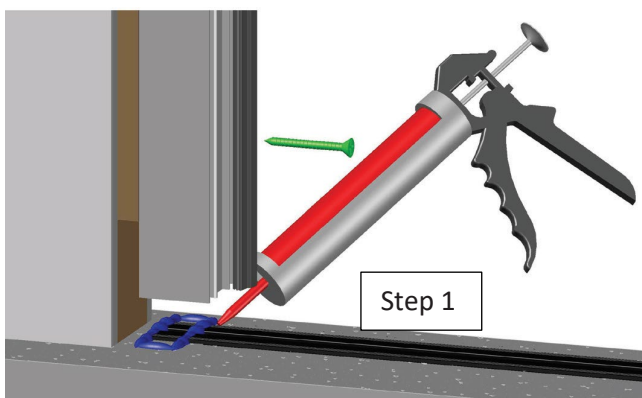
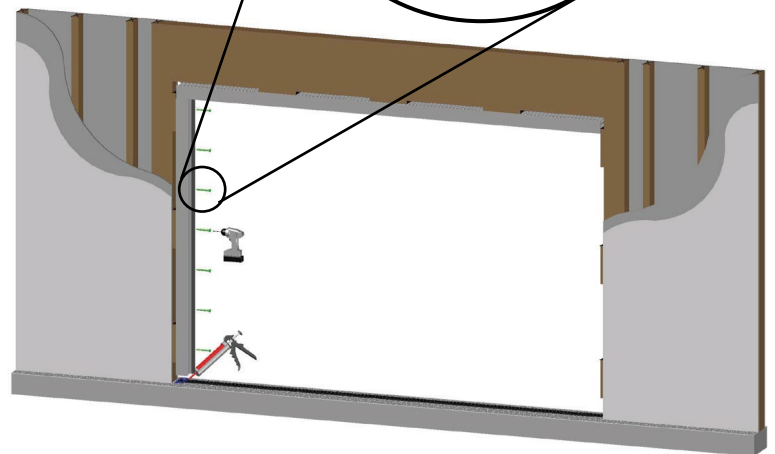
1. Align top track parallel with the bottom track using a laser level or plumb bob.
2. Ensure header is leveled and straight.
3. Use supplied screws to secure header in place.



Part 5: Side Frame Installation

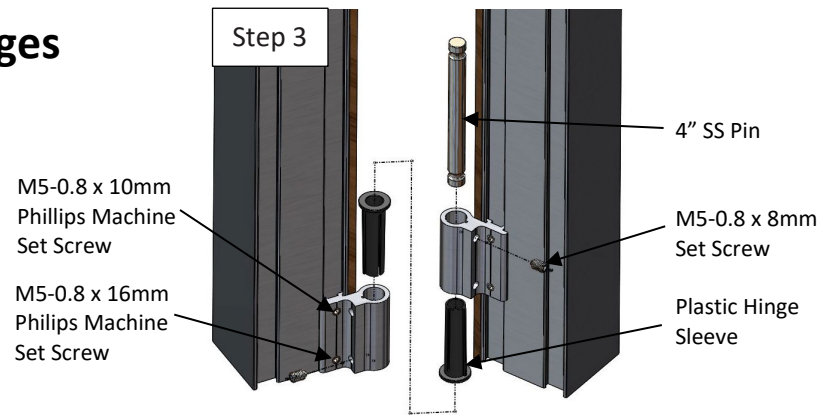
(NOTE: Door panel attached to frame is not shown)

1. Put construction sealant at the ends of both top and bottom tracks and set side frames in place.
2. Match the centerline of the side frames with the centerline of the bottom track as the side frame will sit between the top and bottom track.
3. Level the side frame.
4. Shim as needed and fasten the side jamb to the stud through the predrilled holes.



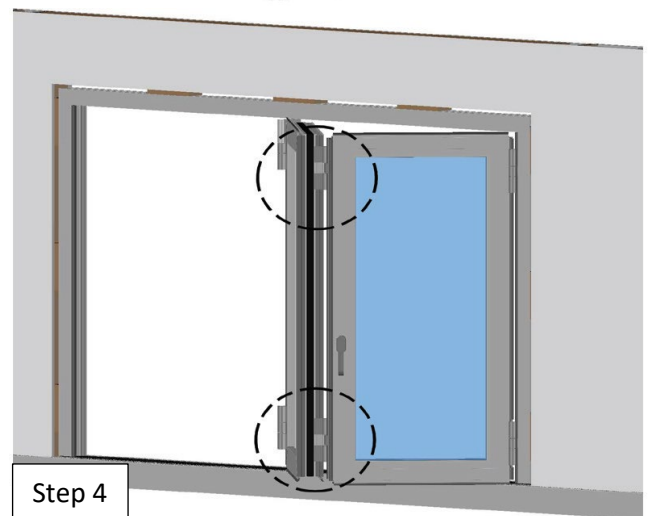
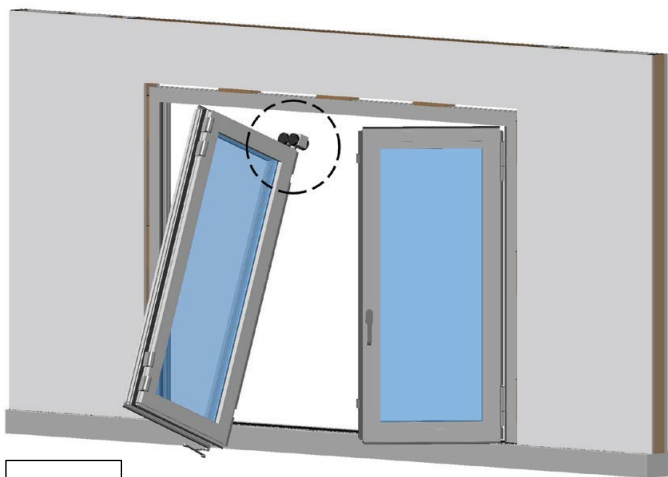
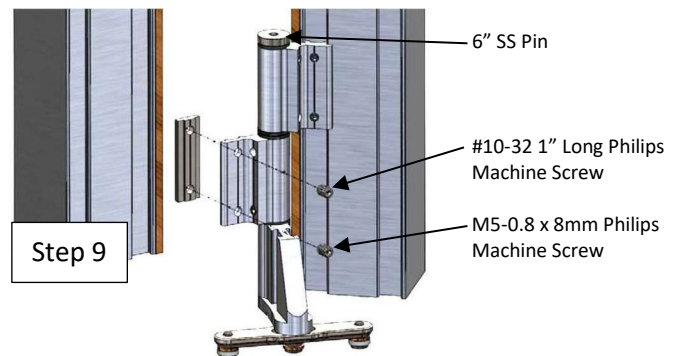
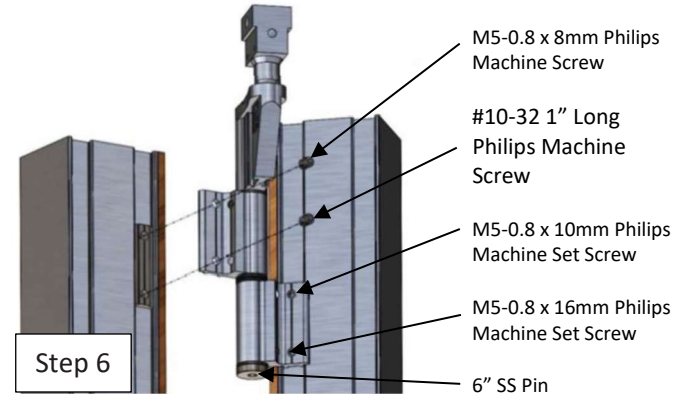
Part 6: Panel Installation at Hinges

1. Insert hinge sleeve into hinge hole and place panels back to back.
2. Line up overlapping hinges.
3. Insert the stainless steel hinge pins by tapping with a rubber mallet.
4. Tighten using the set screws to lock in place.



Part 7: Panel Installation with Wheels

1. Locate the access port on the top header.
2. Insert the panel with the wheel sets by tilting the panel and inserting the wheels into the provided slot on the top track.
3. Insert bottom guide into the track channel.
4. Once the panel is in the track, slide the panel so that it meets the next one.
5. Insert hinge sleeve into hinge hole and place panels back to back.
6. Line up overlapping hinges
7. Insert the stainless steel hinge pins by taping with a rubber mallet.
8. Tighten using the set screws to lock in place.
9. To install a panel adjacent to the wheel and bottom guide, align hinge to the attached plates and screw the hinge to the panel.

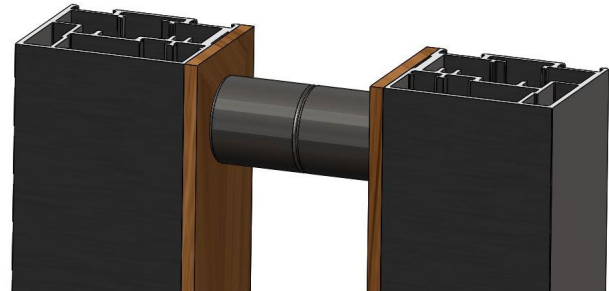


Part 8: Magnet Installation (For Flag Doors Only)

1. After all panels have been placed into header, open the system.
2. Identify the top corner of the panels opposite of the hinges.
3. Mark and drill the magnet holes. Ensure magnet locations line up when system is opened.
4. Screw the magnet into place using the Allen Key provided.



System Closed



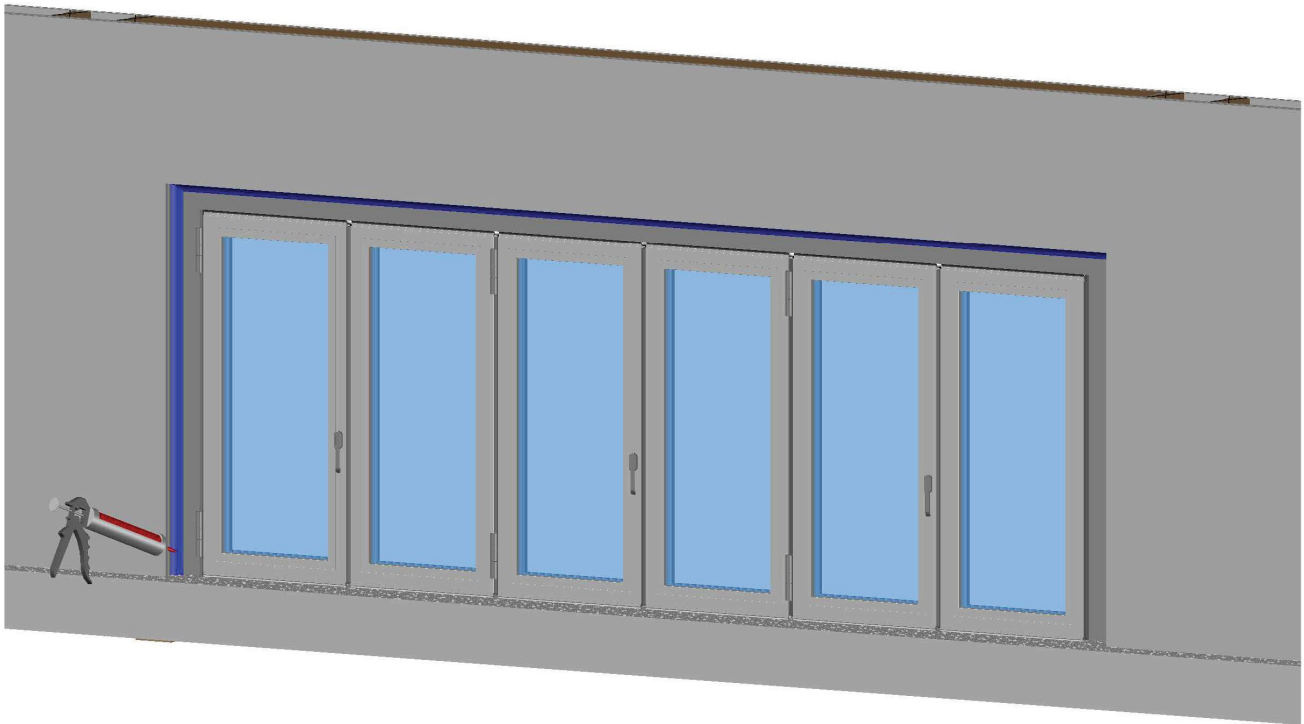
System Opened

Part 9: Completion and Adjustment

1. Vertical Adjustment:
 - a. Vertical panel adjustments are made by shifting the head track up or down, removing or adding shims if necessary
2. Horizontal Adjustment:
 - a. Horizontal panel adjustments are made by shifting the side jambs side-to-side, removing or adding shims if necessary.
3. Operate door unit to ensure proper operation. The panel will not operate correctly if the door is out of square, over-shimmed, or over-insulated.
4. Completely seal around exterior perimeter between door frame and rough opening or wall exterior.
5. Remove all labels or shipping materials.
6. Properly finish all wood/cellular PVC interior and exterior components within 60 days of installation. See the Care and Use Guide located at www.windsorwindows.com for further details on finishing Pinnacle Bi-Fold doors.
7. **IMPORTANT:** Do not stain or paint any hardware or vinyl components.
8. Apply the handle set as appropriate per manufacturers' recommendations. Complete final adjustments as necessary.
9. Doors are to remain closed and locked during construction to prevent site conditions from damaging and/or warping panels and frames. Allow 10-12 weeks from project completion for building temperature and humidity levels to stabilize and door panels to acclimate.

Part 10: System Finishing

Once all of the steps are completed and the new systems are installed, it is time to properly seal the system. We recommend that all finish work be completed by a General Contractor to fully seal and close the openings.



If you have any questions regarding your Windsor Windows, please contact Windsor Windows & Doors directly at 1-800-218-6186. Or you can visit us online at www.windsorwindows.com, where you will find helpful information as well as our Care and Use Guides, which will assist you in preserving your windows and patio doors. While you are at our site, you can also complete and submit the form on the Contact page, and one of our window specialists will promptly answer your question.

Care and Use

For information about the care and use of your Windsor products, please visit the www.windsorwindows.com/support, and click “Warranty, Care, & Installation,” where you find a link to our Care and Use Guide. Or contact your local independent Windsor distributor and ask for a copy of the Care and Use Guide, which contains information on finishing, cleaning,

what to look for during yearly inspections, general maintenance tips, sash/panel adjustment, sash/panel removal, screen removal and information on condensation. You should inspect your windows or doors annually.

Warranties

You can find a copy of our current Warranty at the website, under the “Support” tab. If you have Windsor products that are older, please contact Windsor at 1-800-218-6186, and we will provide a copy of the applicable warranty.