

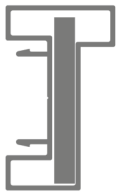
Supplemental Assembly Instructions: DP Upgrade and Impact Sliding Patio Door

These instructions are to be done after the “Pinnacle Sliding Patio Door Assembly and Setup Instructions”.

I. Tools Needed

- Screw Gun with Phillips Head
- 5/32” Drill Bit
- 1/8” Drill Bit
- Scrap Wood Block
- Hammer

II. Part and Hardware List



- Stile Extension and Reinforcement
- Qty 1 for two panel
 - Qty 2 for a four panel



- Head Strike Plate
- Qty 1 for four panel only



- Fastener cover
- Qty 1 for two panel
 - Qty 2 for a four panel



- Head and Sill Clip Screw
#10 X 2 1/4 SS
- Qty 4 for two panel
 - Qty 10 for four panel



- Head and Sill Clips
- Qty 2 for two panel
 - Qty 4 for a four panel



- Stile Extension Screws
#8 X 1 1/4 SS Self Drilling
- Qty 12 for two panel
 - Qty 24 for four panel



- Dust pad
- Qty 2 for two panel
 - Qty 4 for a four panel



- Head Strike Plate Screws
#10 X 3/4” SS
- Qty 3 for four panel



- Head Jamb Cover Screws
#6 X 3/4 Self Drilling
- Qty 8

1. Inspect stile extension and check cut length, panel height + 1 1/8" . Parts should be predrilled with 5/32" screw location holes.

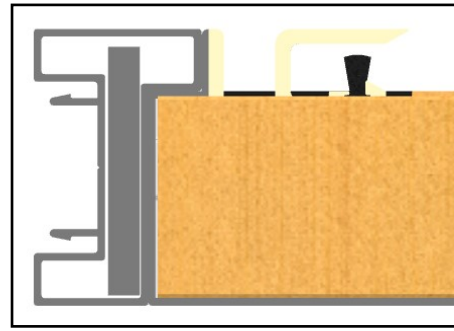


Figure 1

2. With the reinforcement inside the stile extension, place on the inactive panel with the 6 degree side on the sill. (Fig. 1)

3. Apply stile extension screws into the predrilled holes, leaving the top 2 and bottom 2 holes empty for the head and sill clips in a next step. (Fig. 2)

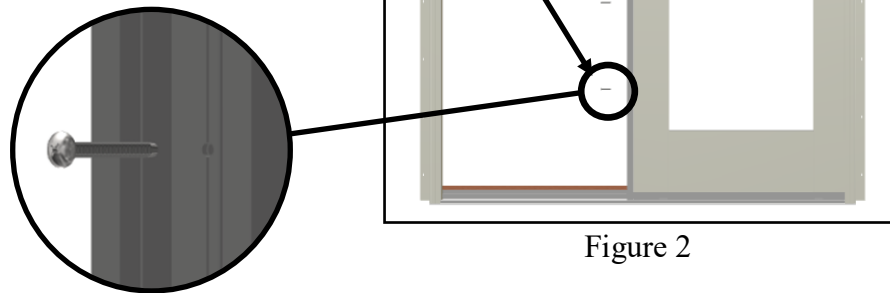


Figure 2

4. Secure the sill clip and the head clip to the stile extension. Clips should sit flush on sill (Fig. 3) and head jamb (Fig. 4).

 - Do not apply screws through the sill or head jamb until later step.

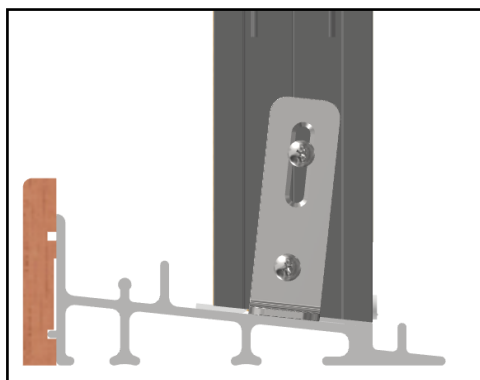


Figure 3

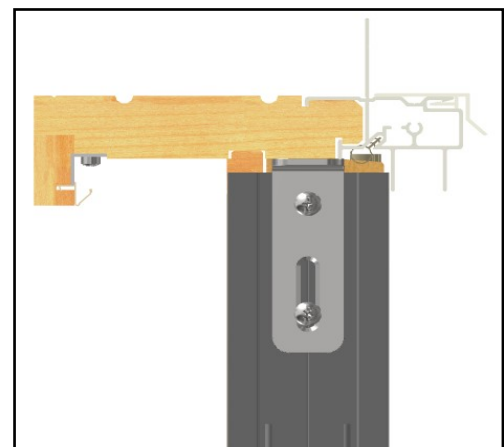


Figure 4

6. Apply the fastener cover using a wood block and hammer. Make sure cover flush on the sill clip. (Fig. 5)
- This is a snap fit, so make sure all fasteners are tight and part length is correct before applying.

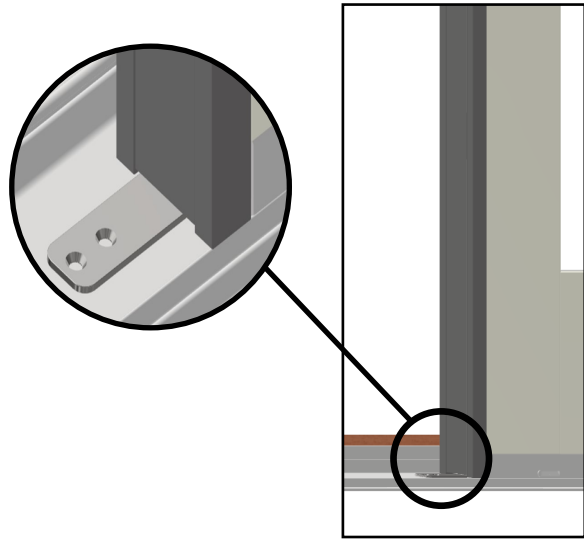


Figure 5

7. Apply the dust covers side by side on the stile extension. (Fig. 6)

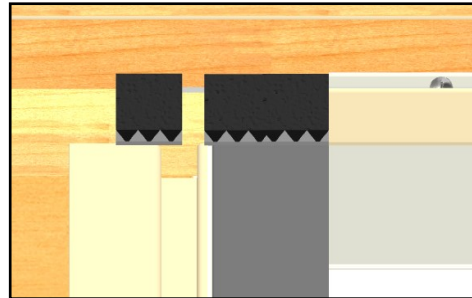


Figure 6

8. Repeat steps 1 - 7 if unit is a 4 panel sliding patio door.
9. **Remainder of the steps will be done after the unit has been installed.**

10. With the unit installed, predrill through head jamb and sill and fasten the head and sill clip into the surrounding framing with screws, #10 X 2 1/4". (Fig. 7 & Fig. 8)

- If the framing above or below the door is not wood, another fastener will be needed to secure the head jamb and sill.

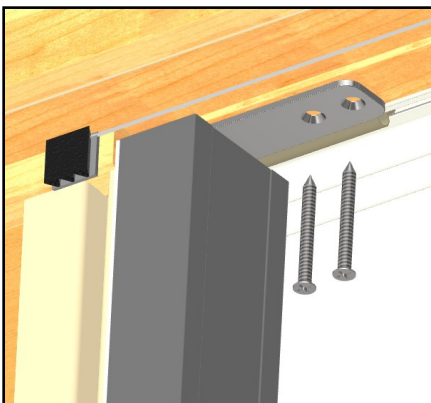


Figure 7

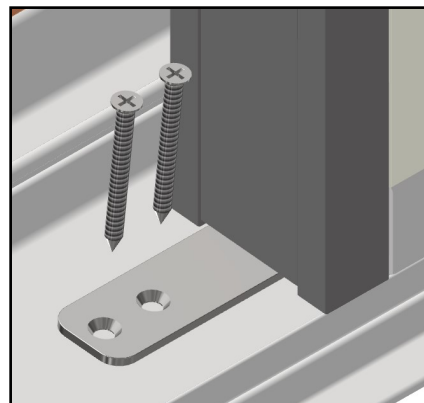


Figure 8

11. Once the head and sill clip screws are secured, apply the head jamb cover using a head jamb cover screws. (Fig. 9 & Fig 10)

- 2 panel units will have a end pad that goes on the side touching the side jamb.

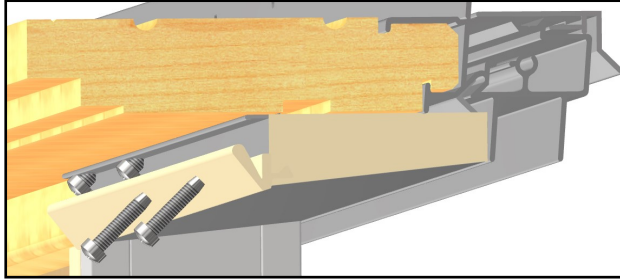


Figure 9

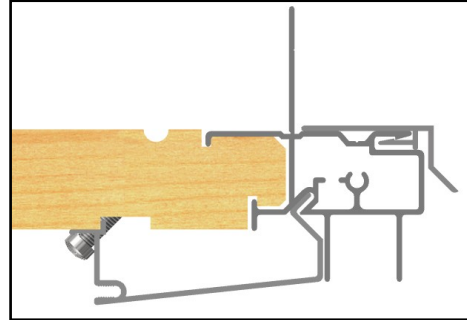


Figure 10

12. The final step is for four panel patio doors and to be done once the panels are installed and the head inside stop are in place.

- Install the head strike plate with the 3 holes aligning with the aluminum on the head inside stop. Pre-drill with 1/8" bit and use the head strike plate screws to secure head strike through the aluminum. (Fig. 11)
- Just like the head clip screws, pre-drill into the header for a #10 X 2 1/4" screw and apply the 2 screws. (Fig. 12)
- If the framing above the door is not wood, another fastener will be needed to secure the head jamb.

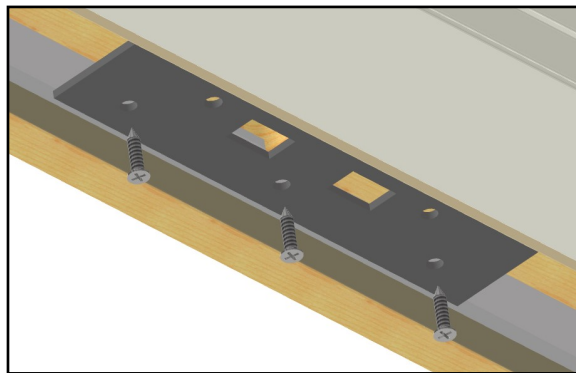


Figure 11

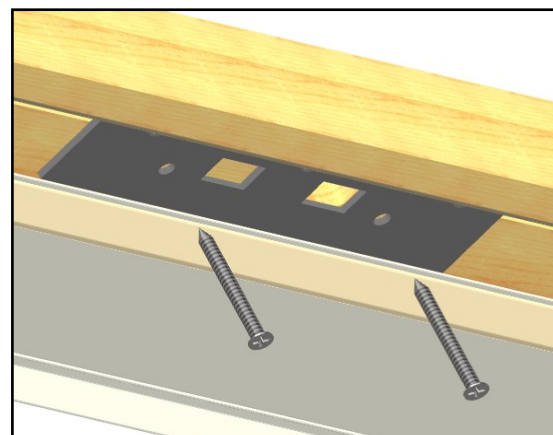


Figure 12