



Supplemental Impact Installation Clip Instructions

NOTE: Instructions below are intended to replace fastener details described in Step 4 of the "Installation Guidelines and Homeowner Warranty" document sent with the unit.

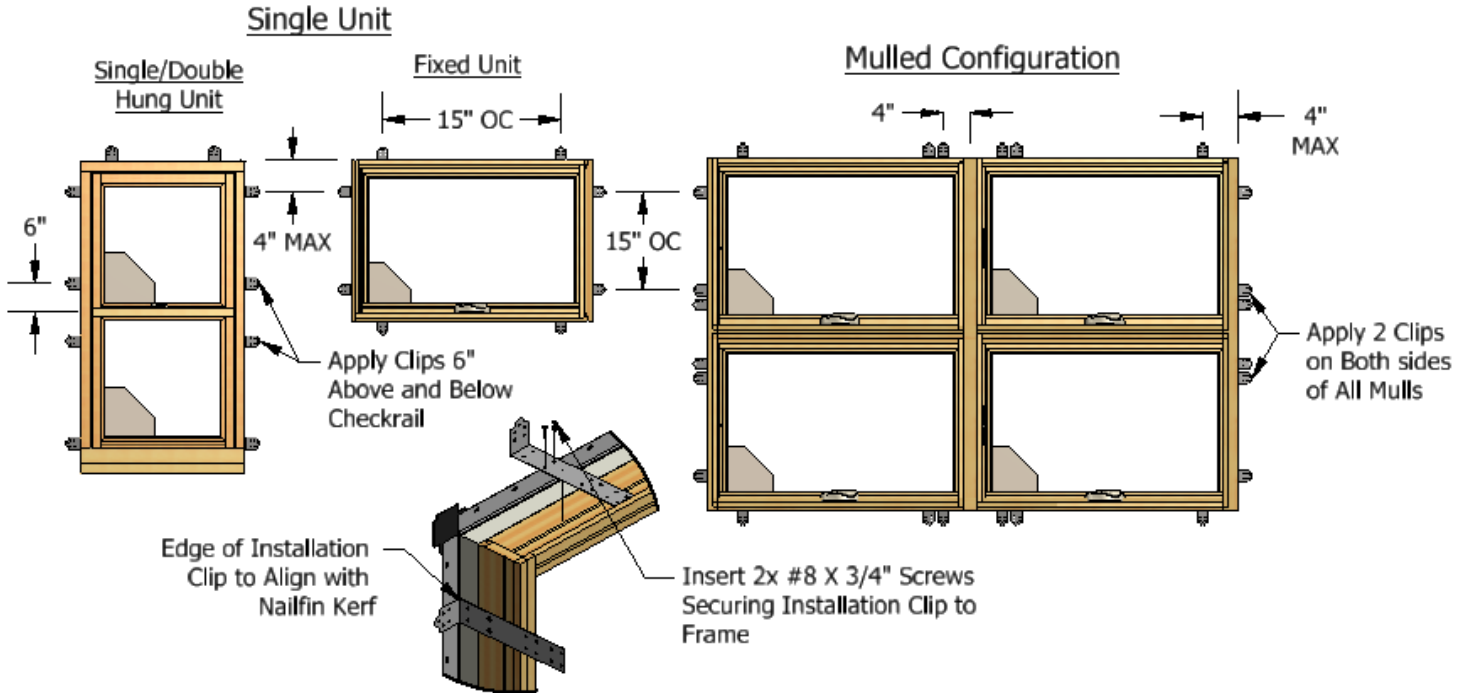


Apply Installation Clips Around Unit

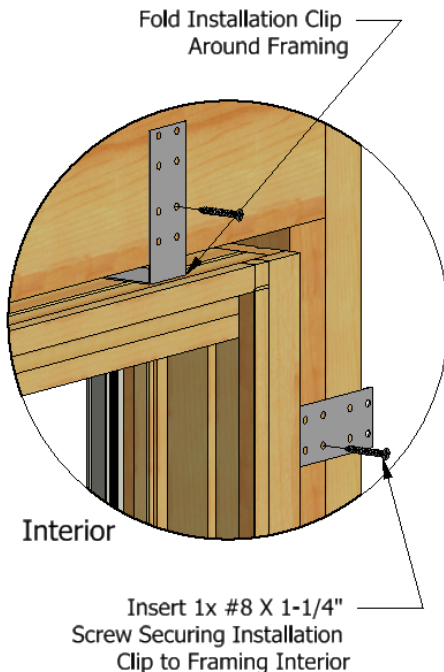
Needed Parts

Impact Installation Clip – P/N: 460024
 #8 x 1-1/4" Screw – P/N: 8036
 #8 x 3/4" Screw – P/N: 2370091

Installation Clip Location



Insert Unit in to Framing, Secure Installation Clips to Interior



Secure Installation Clips to Exterior

Insert 1x #8 X 1-1/4" Screw Securing Installation Clip to Framing Exterior

