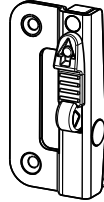
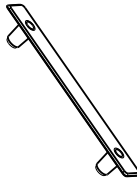
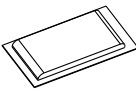





# Dual Action Retrofit

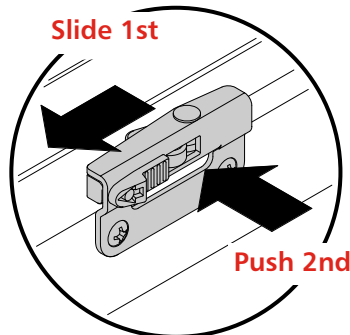
## window opening control device instructions

Read guide from beginning to end before starting installation.  
Read all warnings and cautions during unit installation.

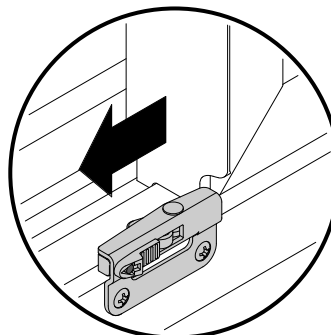
<p><b>Parts Included</b> Opening Control Device Backplate Screws Buffer</p> <p><b>Tools needed</b> Safety glasses Phillips head screw driver Drill / Driver 1/16" Drill bit 3/16" Drill bit Pencil Tape measure</p>	 <p>Control Device</p>	 <p>Back Plate</p>
	 <p>Buffer</p>	 <p>Screws</p>

### Warning

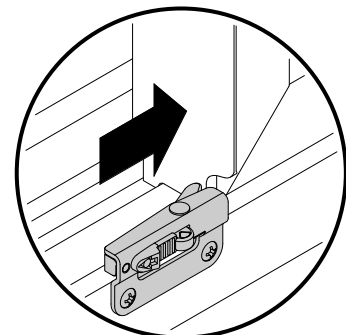
Window opening control device must be installed correctly and engaged to protect against accidental falls. Failure to do so may result in falls / injury. Window must be unlocked and opening control device disengaged to allow for emergency exit.



**1** To fully open sash, disengage window opening control device.



**2** Open sash.



**3** Close sash. Window opening control device automatically resets.

### Warning

This package contains window opening control device parts for Gliding windows. The device must be installed following the enclosed instructions, and be engaged to help protect against accidental falls from windows.

Follow manufacturers' instructions for hand or power tools. Always wear safety glasses. Failure to do so may result in injury and / or product damage.

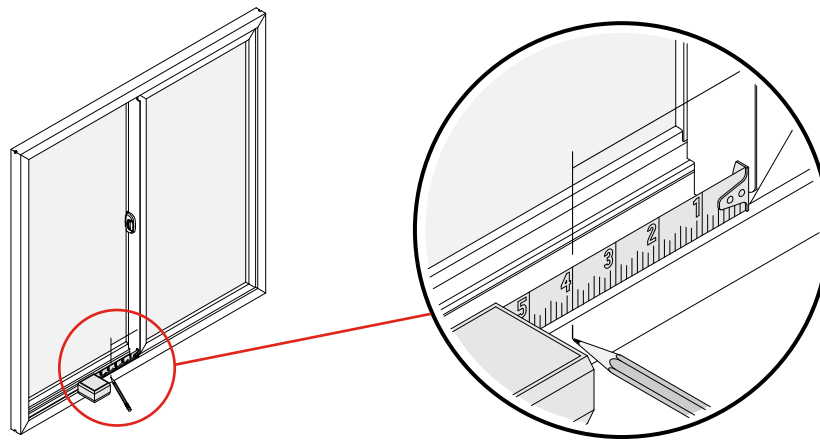
Use caution when working at elevated heights and around unit openings. Follow manufacturers' instructions for ladder and / or scaffolding. Failure to do so may result in injury or death.

The window opening control device was designed to protect against accidental falls by children 5 years old and younger. This window opening control device is not a substitute for supervision of young children. Tested to ASTM F2090 2008/2010

# 1

## MARK POSITION

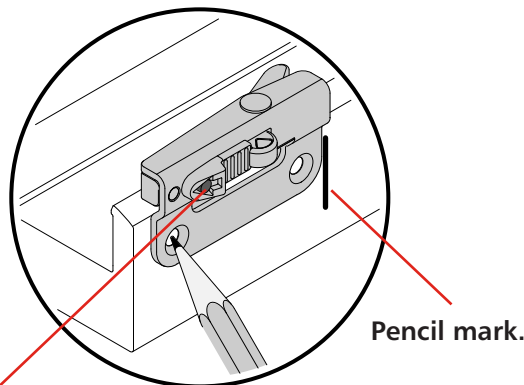
Close and lock the sash. Measure 4" (100mm) from the edge of sash and mark window frame as shown.



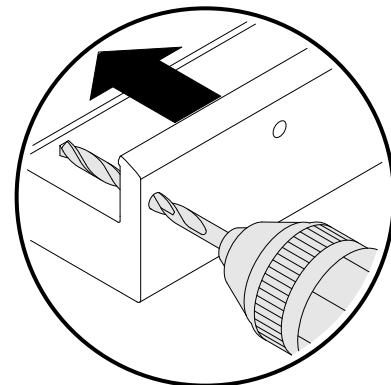
# 2

## FIX RESTRICTOR

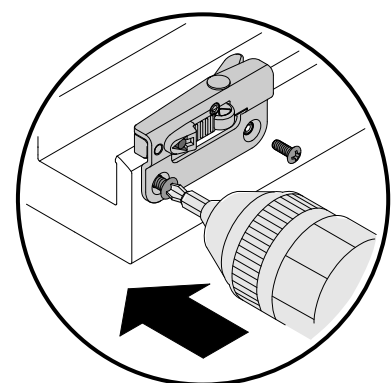
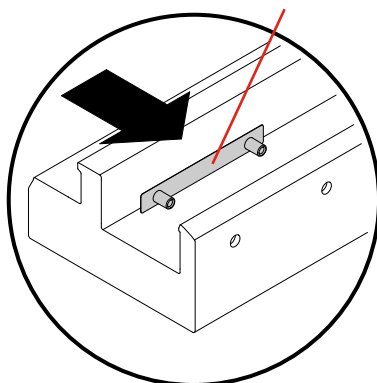
Position window opening control device tight to window frame on the pencil mark. Mark hole locations and pre-drill 1/16" holes. Enlarge holes with a 3/16" drill bit. Position back plate to frame and fit opening control device with 2 screws.



Arrow pointing away from venting sash.



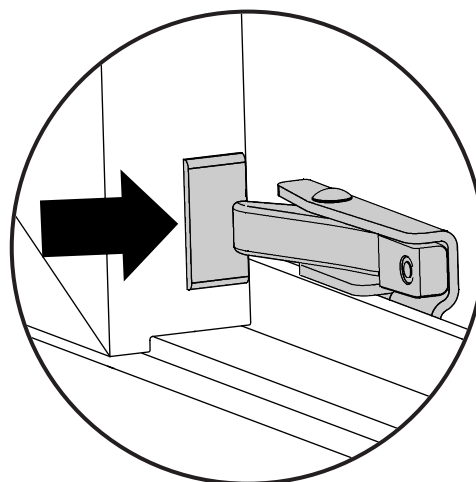
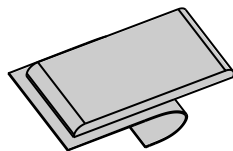
Position Back Plate.



## 3

## FIT BUFFER

Fitting buffer. Remove buffer from backing. Position buffer directly next to the opening control device, 1/16" from edge. Apply firm pressure for five seconds to adhere buffer.



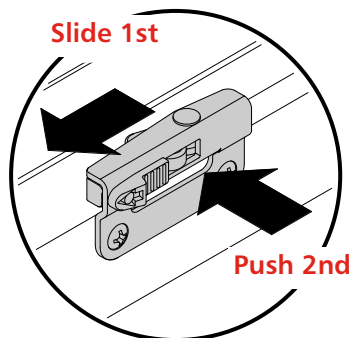
## Warning

Buffers are small parts and could pose a choking hazard to young children.

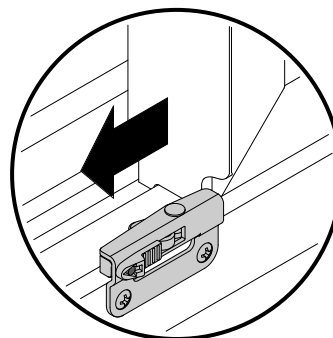
## 4

## OPERATION

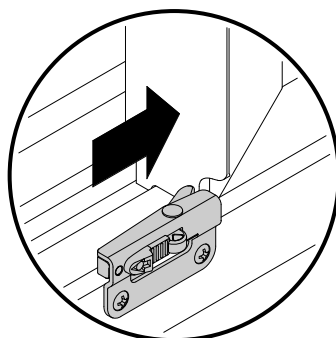
Verify correct opening control device operation.



**1** To fully open sash, disengage window opening control device.



**2** Open sash.

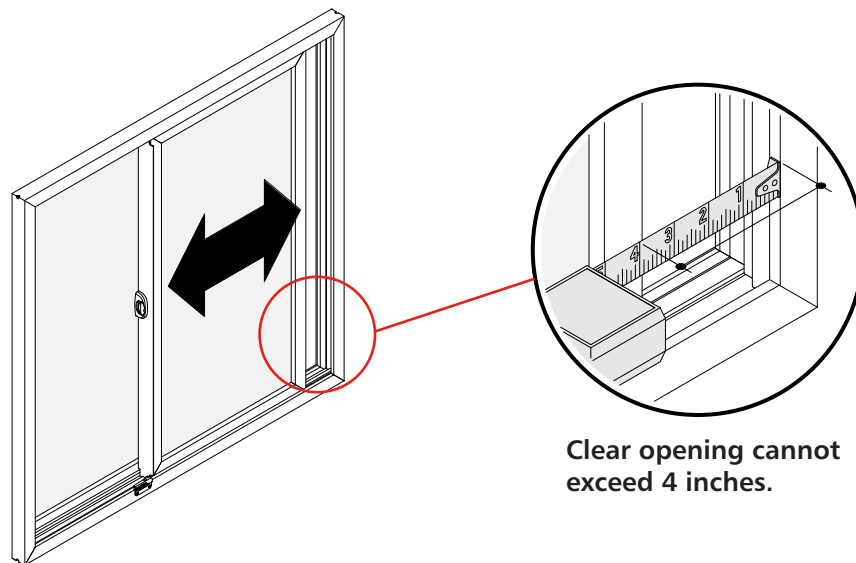


**3** Close sash. Window opening control device automatically resets.

## 5

## VERIFY INSTALLATION

With the opening control device engaged the clear opening cannot exceed 4 inches.



Window opening control device application procedure is completed.

**Important**

This package contains window opening control device parts for Gliding windows. The device must be installed following the enclosed instructions, and be engaged to help protect against accidental falls from windows. Failure to do so may result in fall/injury. This window opening control device is not a substitute for supervision of young children.

MIGHTON

[www.angel-ventlock.com](http://www.angel-ventlock.com) [www.mightonproducts.com](http://www.mightonproducts.com)

ANGEL VENTLOCK

Tested to ASTM F2090 2008/2010

