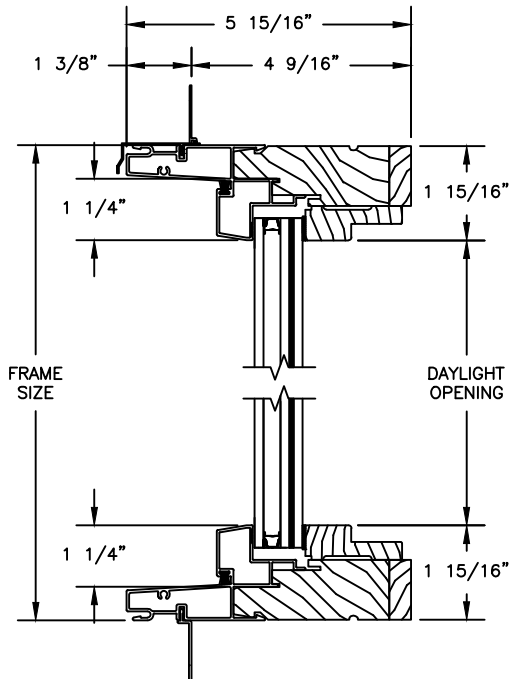


# Pinnacle Impact Series

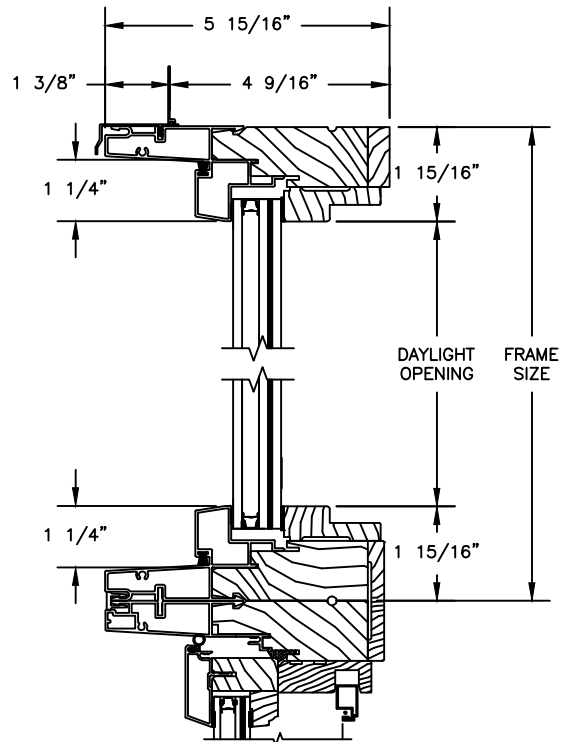
## CLAD DIRECT SET

### SECTION DETAILS: DIRECT GLAZE

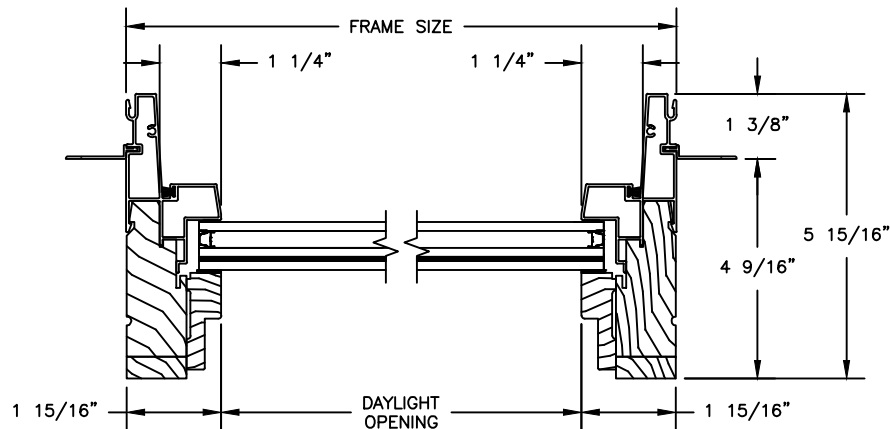
SCALE: 3" = 1'-0"



HEAD JAMB & SILL



TRANSOM  
HEAD JAMB & SILL



JAMBS

NOTES:

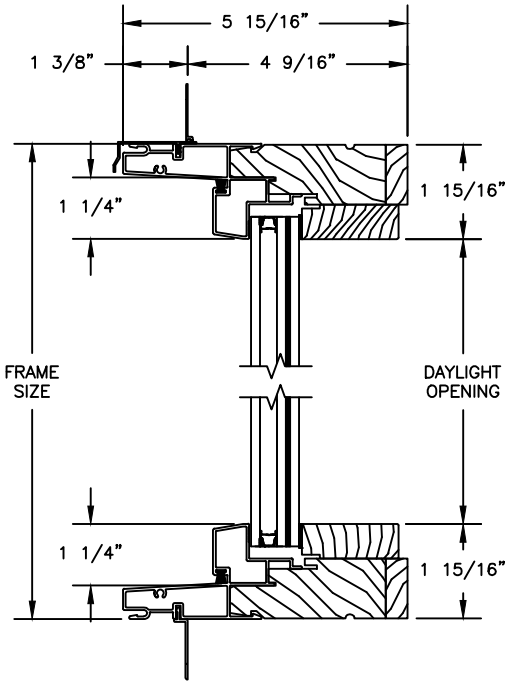
1. FOR RECTANGULAR UNITS, THE RELATIONSHIP BETWEEN GLASS SIZE, FRAME DIMENSION, ROUGH OPENING AND UNIT DIMENSION IS AS SHOWN ABOVE.
2. FOR TRAPEZOID & PENTIOD UNIT, THE RELATIONSHIP BETWEEN GLASS SIZE WIDTH, FRAME DIMENSION WIDTH, ROUGH OPENING WIDTH AND UNIT DIMENSION WIDTH IS AS SHOWN ABOVE.
3. ALL OTHER DIMENSIONAL RELATIONSHIPS, INCLUDING HEIGHTS OF TRAPEZOID AND PENTIODS, AND WIDTHS AND HEIGHTS OF TRIANGLES, AND OCTAGONS DEPEND UPON THE INCLUSIVE ANGLES, AND MUST BE CALCULATED SEPARATELY FOR EACH UNIT.

# Pinnacle Impact Series

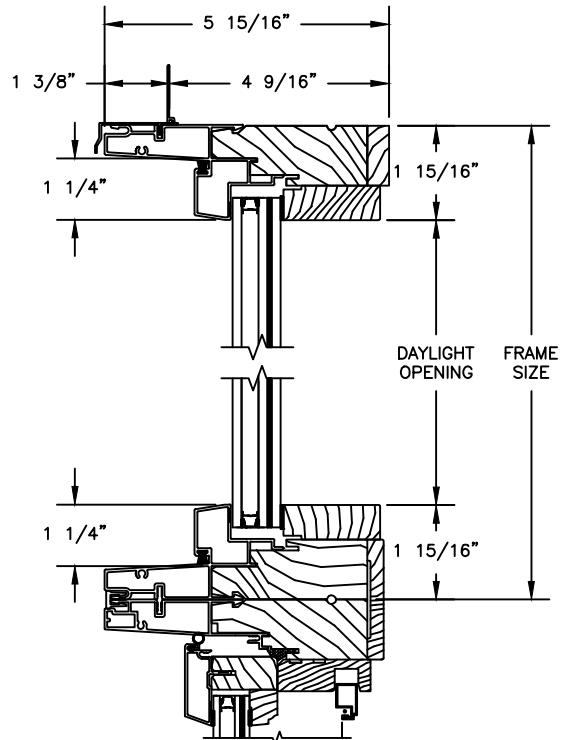
## CLAD DIRECT SET

SECTION DETAILS: DIRECT GLAZE WITH CONTEMPORARY STOPS

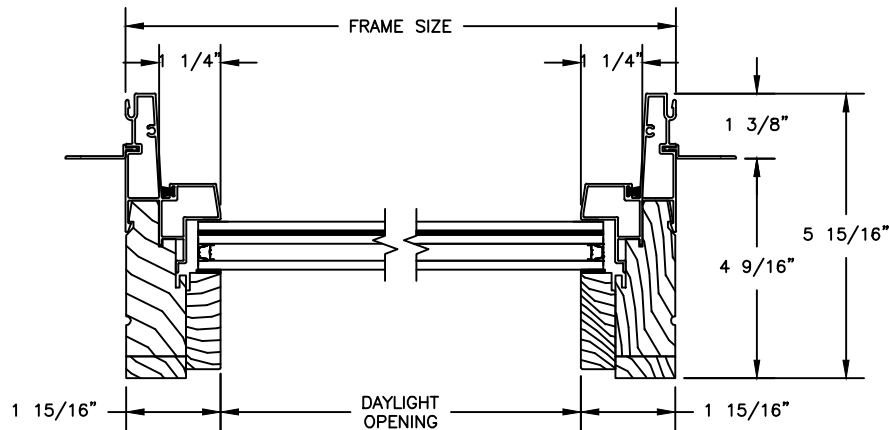
SCALE: 3" = 1'-0"



HEAD JAMB & SILL



TRANSOM  
HEAD JAMB & SILL



JAMBS

NOTES:

1. FOR RECTANGULAR UNITS, THE RELATIONSHIP BETWEEN GLASS SIZE, FRAME DIMENSION, ROUGH OPENING AND UNIT DIMENSION IS AS SHOWN ABOVE.
2. FOR TRAPEZOID & PENTIOD UNIT, THE RELATIONSHIP BETWEEN GLASS SIZE WIDTH, FRAME DIMENSION WIDTH, ROUGH OPENING WIDTH AND UNIT DIMENSION WIDTH IS AS SHOWN ABOVE.
3. ALL OTHER DIMENSIONAL RELATIONSHIPS, INCLUDING HEIGHTS OF TRAPEZOIDS AND PENTIODS, AND WIDTHS AND HEIGHTS OF TRIANGLES, AND OCTAGONS DEPEND UPON THE INCLUSIVE ANGLES, AND MUST BE CALCULATED SEPARATELY FOR EACH UNIT.

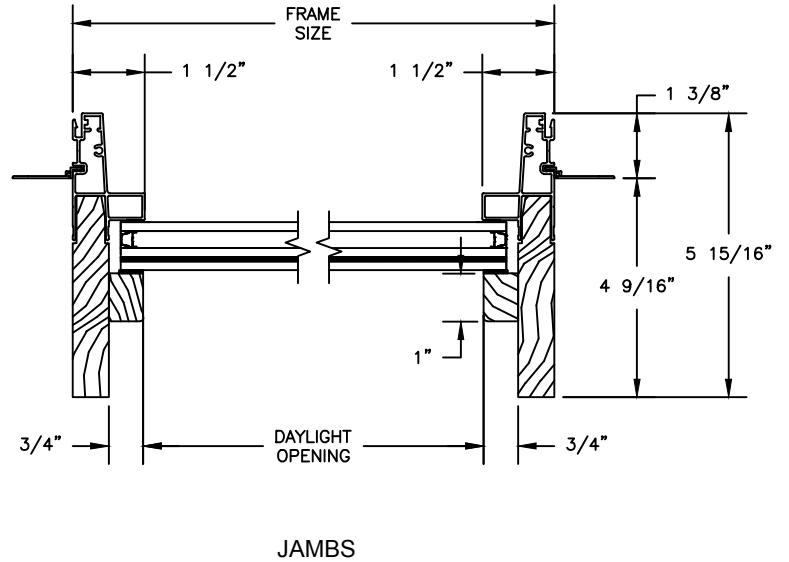
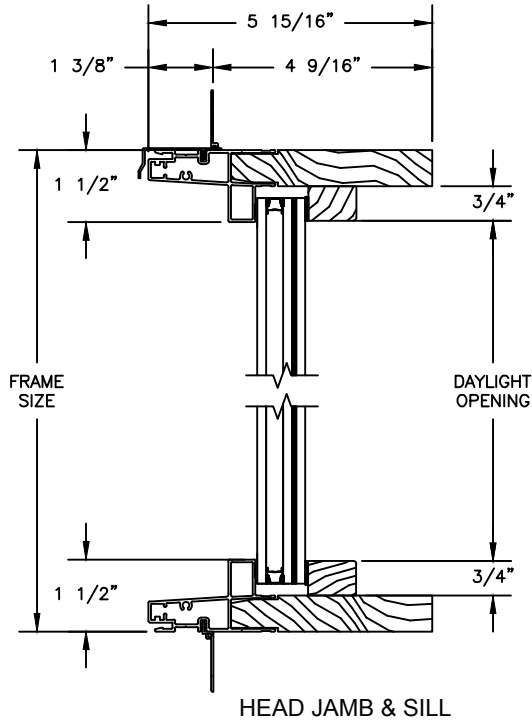
# Pinnacle Impact Series

## CLAD DIRECT SET

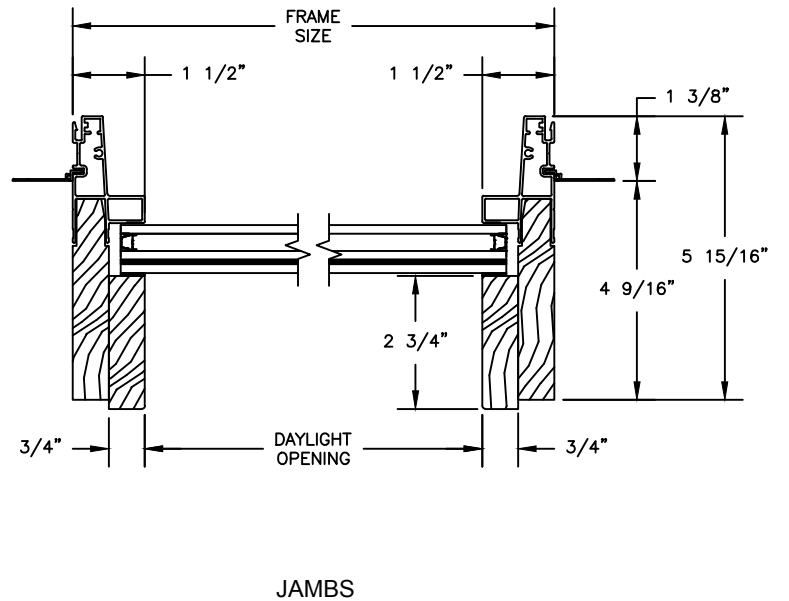
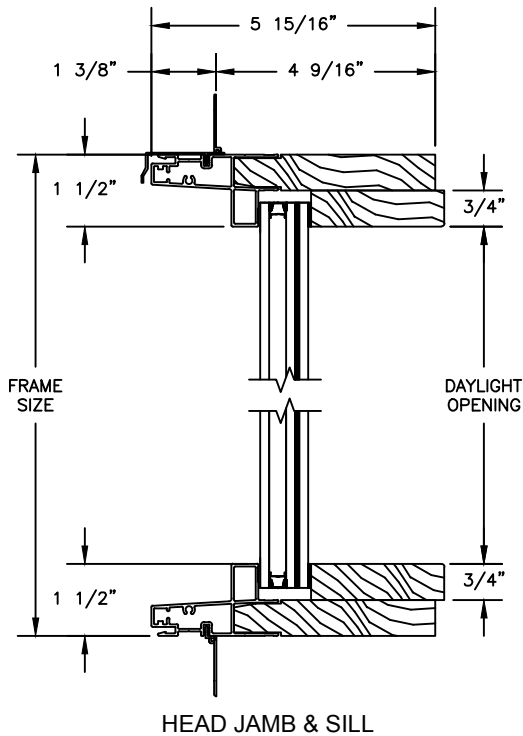
SECTION DETAILS: DIRECT GLAZE LOW PROFILE (RADIUS FRAME)

SCALE: 3" = 1'-0"

### TRADITIONAL INSIDE STOP



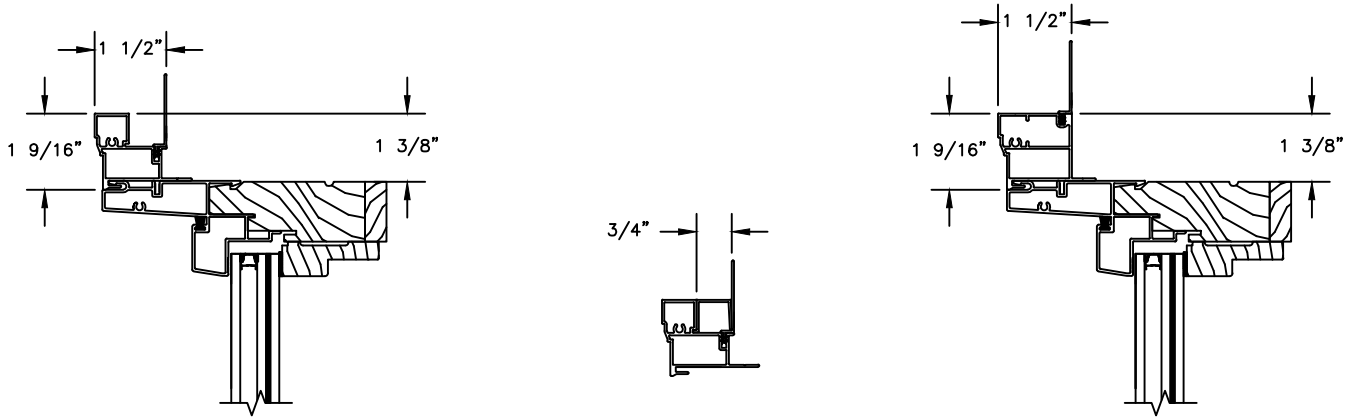
### CONTEMPORARY INSIDE STOP



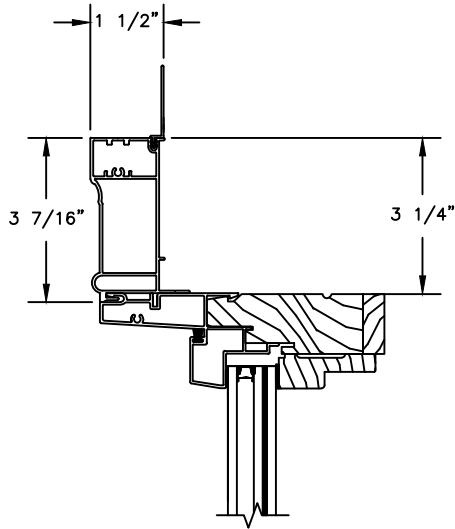
# Pinnacle Impact Series

## CLAD DIRECT SET

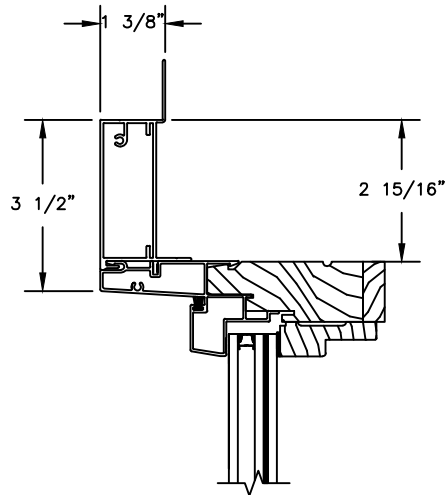
SECTION DETAILS : CASING OPTIONS  
 SCALE: 3" = 1'-0"



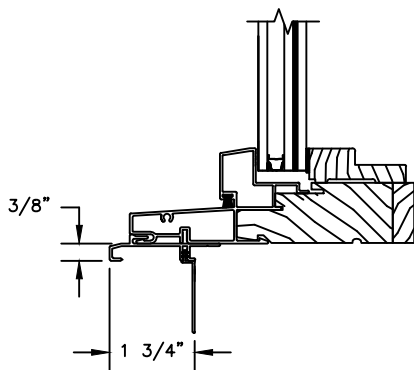
CLAD BRICKMOULD CASING  
 WITH OPTIONAL J-CHANNEL COVER



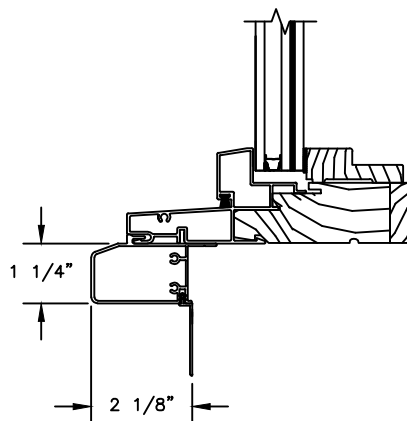
HEAD JAMB WITH  
 CLAD WILLIAMSBURG CASING



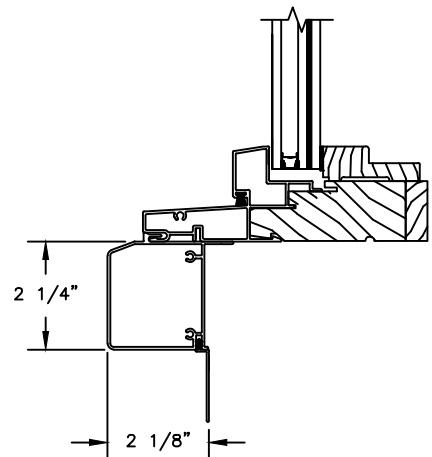
HEAD JAMB WITH  
 3 1/2" CLAD FLAT CASING



SILL WITH  
 3/8" CLAD SUBSILL



SILL WITH  
 1 1/4" CLAD SUBSILL



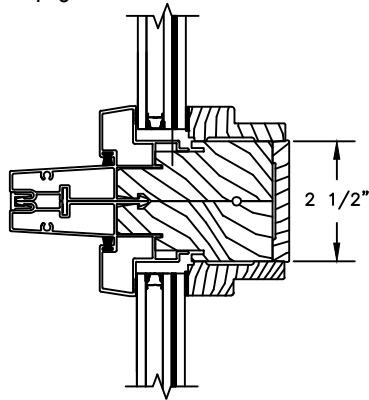
SILL WITH  
 2 1/4" CLAD SUBSILL

# Pinnacle Impact Series

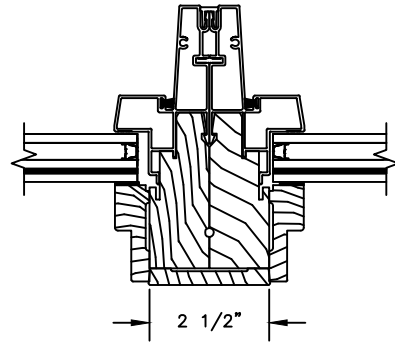
## CLAD DIRECT SET

SECTION DETAILS : MULLIONS

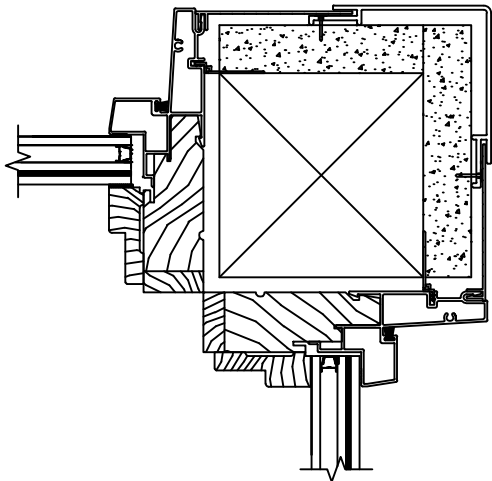
SCALE: 3" = 1'-0"



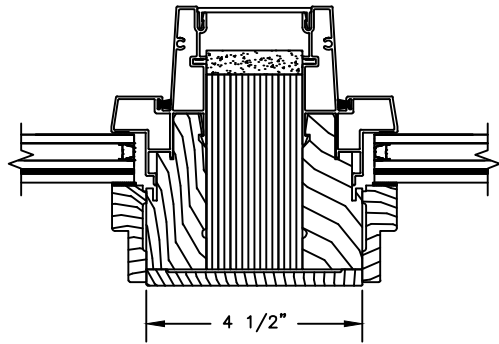
HORIZONTAL MULLION  
DIRECT SET/DIRECT SET



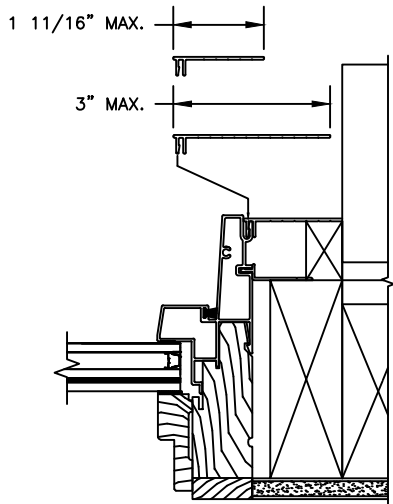
VERTICAL MULLION  
DIRECT SET/DIRECT SET



90° MULLION  
DIRECT SET/DIRECT SET  
(ONLY USED WITH 4 9/16" JAMB & 3 1/4"  
FRAME EXPANDER)



VERTICAL MULLION WITH  
2" SPREAD MULL  
ADDITIONAL WIDTHS INCLUDE:  
1", 2", 2 1/2", 3", & 4"



NOTE:  
FOR INFORMATION ON STRUCTURAL MULLIONS REFER TO  
THE PRODUCT PERFORMANCE AND INFORMATION SECTION.

# Pinnacle Impact Series

## CLAD DIRECT SET

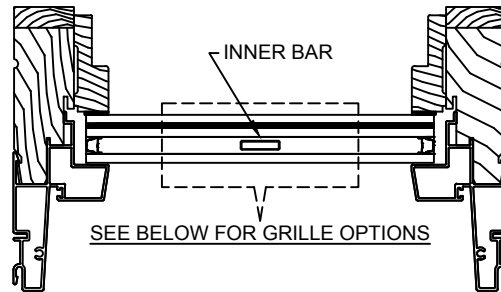
SECTION DETAILS : DIVIDED LITE OPTIONS

SCALE: 3" = 1'-0"

### AVAILABLE STYLES

-  - PUTTY
-  - TALL PUTTY\*
-  - OGEE
-  - CONTEMPORARY
-  - TALL CONTEMPORARY\*

\*CLAD EXTERIOR BAR ONLY



	5/8" WDL WITH INNER BAR	7/8" WDL WITH INNER BAR	1 1/4" WDL WITH INNER BAR	2" WDL WITH INNER BAR
STANDARD INSULATING GLASS				
13/16" INNERGRILLE				
3/4" PROFILED INNERGRILLE				
7/8" STICK GRILLE				
1 1/4" STICK GRILLE				

NOTE:

\* ALL WDL OPTIONS CAN BE ORDERED WITH OR WITHOUT INNER BAR

# Pinnacle Impact Series

## CLAD DIRECT SET

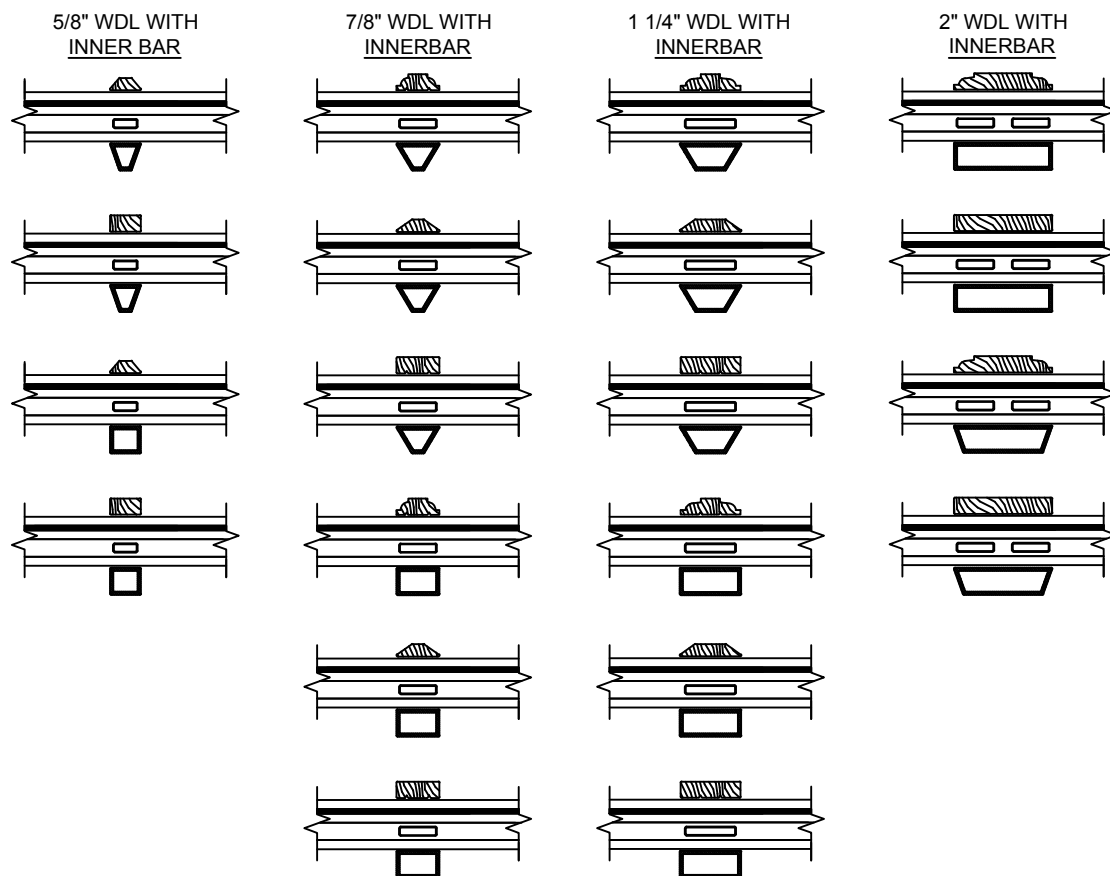
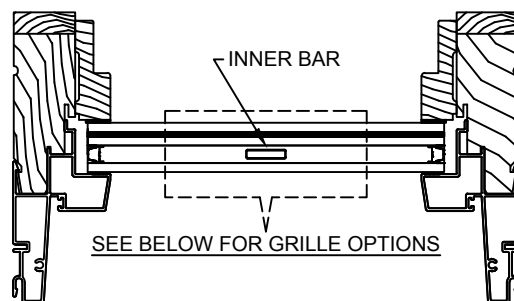
SECTION DETAILS : DIVIDED LITE OPTIONS CONTINUED

SCALE: 3" = 1'-0"

### AVAILABLE STYLES

-  - PUTTY
-  - TALL PUTTY\*
-  - OGEE
-  - CONTEMPORARY
-  - TALL CONTEMPORARY\*

\*CLAD EXTERIOR BAR ONLY



NOTE:

\* ALL WDL OPTIONS CAN BE ORDERED WITH OR WITHOUT INNER BAR

8/21/20

# Pinnacle Impact Series

## CLAD DIRECT SET

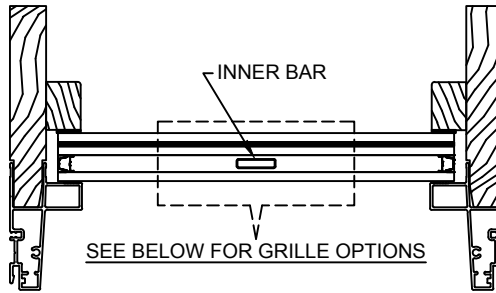
SECTION DETAILS : LOW PROFILE DIVIDED LITE OPTIONS

SCALE: 3" = 1'-0"

AVAILABLE STYLES

-  - PUTTY
-  - TALL PUTTY\*
-  - OGEE
-  - CONTEMPORARY
-  - TALL CONTEMPORARY\*

\*CLAD EXTERIOR BAR ONLY



	5/8" WDL WITH INNER BAR	7/8" WDL WITH INNERBAR	1 1/4" WDL WITH INNERBAR	2" WDL WITH INNERBAR
STANDARD INSULATING GLASS				
13/16" INNERGRILLE				
3/4" PROFILED INNERGRILLE				
7/8" STICK GRILLE				
1 1/4" STICK GRILLE				

NOTE:  
\* ALL WDL OPTIONS CAN BE ORDERED WITH OR WITHOUT INNER BAR



# Pinnacle Series

## CLAD DIRECT SET

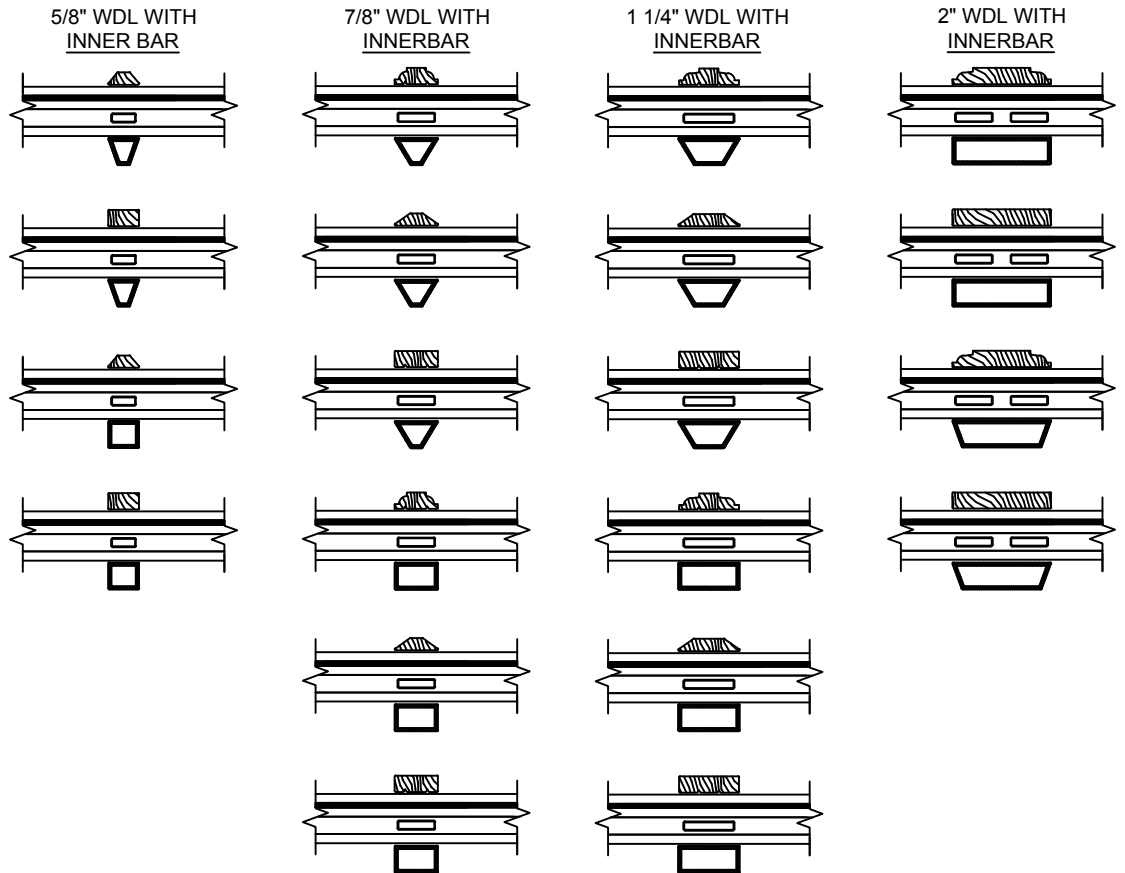
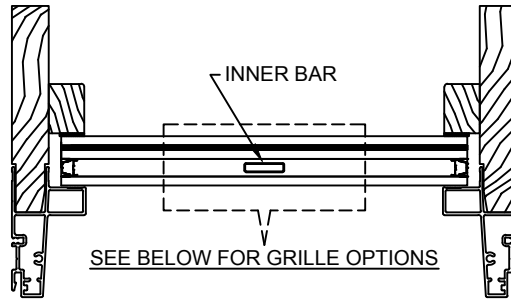
SECTION DETAILS : LOW PROFILE DIVIDED LITE OPTIONS CONTINUED

SCALE: 3" = 1'-0"

AVAILABLE STYLES

-  - PUTTY
-  - TALL PUTTY\*
-  - OGEE
-  - CONTEMPORARY
-  - TALL CONTEMPORARY\*

\*CLAD EXTERIOR BAR ONLY



NOTE:

\* ALL WDL OPTIONS CAN BE ORDERED WITH OR WITHOUT INNER BAR

8/21/20