

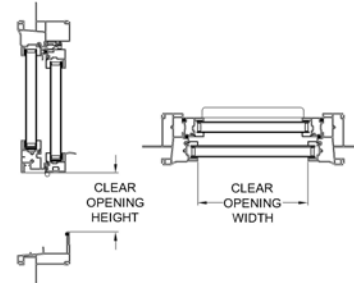
Next Dimension Classic Series

SINGLE HUNG

EGRESS, LITE & SCREEN MEASUREMENTS

Egress, Lite and Vent Measurements									
Single Hung									
Size	Egress Width	Egress Height	Sq. Ft. Egress	Egress Code Compliance*			Sq. Ft. Daylite	Screen Size	
				U.S.		Canada		Width	Height
				5.0 ft ²	5.7 ft ²				
1830	12.718	11.248	0.99	-	-	-	1.91	13.75	12.969
1836	12.718	14.248	1.26	-	-	-	2.42	13.75	15.969
1842	12.718	17.248	1.52	-	-	-	2.94	13.75	18.969
1848	12.718	20.248	1.79	-	-	-	3.45	13.75	21.969
1854	12.718	23.248	2.05	-	-	-	3.96	13.75	24.969
1860	12.718	26.248	2.32	-	-	-	4.48	13.75	27.969
1861	12.718	26.748	2.36	-	-	-	4.56	13.75	28.469
1862	12.718	27.248	2.41	-	-	-	4.65	13.75	28.969
1866	12.718	29.248	2.58	-	-	-	4.99	13.75	30.969
1872	12.718	32.248	2.85	-	-	-	5.50	13.75	33.969
1878	12.718	35.248	3.11	-	-	-	6.02	13.75	36.969
1884	12.718	38.248	3.38	-	-	-	6.53	13.75	39.969
2430	18.718	11.248	1.46	-	-	-	2.84	19.75	12.969
2436	18.718	14.248	1.85	-	-	-	3.60	19.75	15.969
2442	18.718	17.248	2.24	-	-	-	4.36	19.75	18.969
2448	18.718	20.248	2.63	-	-	-	5.13	19.75	21.969
2454	18.718	23.248	3.02	-	-	-	5.89	19.75	24.969
2460	18.718	26.248	3.41	-	-	-	6.66	19.75	27.969
2461	18.718	26.748	3.48	-	-	-	6.78	19.75	28.469
2462	18.718	27.248	3.54	-	-	-	6.91	19.75	28.969
2466	18.718	29.248	3.80	-	-	Y	7.42	19.75	30.969
2472	18.718	32.248	4.19	-	-	Y	8.18	19.75	33.969
2478	18.718	35.248	4.58	-	-	Y	8.95	19.75	36.969
2484	18.718	38.248	4.97	-	-	Y	9.71	19.75	39.969
3030	24.718	11.248	1.93	-	-	-	3.77	25.75	12.969
3036	24.718	14.248	2.45	-	-	-	4.78	25.75	15.969
3042	24.718	17.248	2.96	-	-	-	5.79	25.75	18.969
3048	24.718	20.248	3.48	-	-	-	6.81	25.75	21.969
3054	24.718	23.248	3.99	-	-	Y	7.82	25.75	24.969
3060	24.718	26.248	4.51	-	-	Y	8.83	25.75	27.969
3061	24.718	26.748	4.59	-	-	Y	9.00	25.75	28.469
3062	24.718	27.248	4.68	-	-	Y	9.17	25.75	28.969
3066	24.718	29.248	5.02	Y	-	Y	9.85	25.75	30.969
3072	24.718	32.248	5.54	Y	Y	Y	10.86	25.75	33.969
3078	24.718	35.248	6.05	Y	Y	Y	11.88	25.75	36.969
3084	24.718	38.248	6.57	Y	Y	Y	12.89	25.75	39.969
3230	26.718	11.248	2.09	-	-	-	4.08	27.75	12.969
3236	26.718	14.248	2.64	-	-	-	5.17	27.75	15.969
3242	26.718	17.248	3.20	-	-	-	6.27	27.75	18.969
3248	26.718	20.248	3.76	-	-	-	7.37	27.75	21.969
3254	26.718	23.248	4.31	-	-	Y	8.46	27.75	24.969
3260	26.718	26.248	4.87	-	-	Y	9.56	27.75	27.969
3261	26.718	26.748	4.96	-	-	Y	9.74	27.75	28.469
3262	26.718	27.248	5.06	Y	-	Y	9.93	27.75	28.969
3266	26.718	29.248	5.43	Y	-	Y	10.66	27.75	30.969
3272	26.718	32.248	5.98	Y	Y	Y	11.75	27.75	33.969
3278	26.718	35.248	6.54	Y	Y	Y	12.85	27.75	36.969
3284	26.718	38.248	7.10	Y	Y	Y	13.95	27.75	39.969
3630	30.718	11.248	2.40	-	-	-	4.70	31.75	12.969
3636	30.718	14.248	3.04	-	-	-	5.96	31.75	15.969
3642	30.718	17.248	3.68	-	-	-	7.22	31.75	18.969
3648	30.718	20.248	4.32	-	-	Y	8.49	31.75	21.969
3654	30.718	23.248	4.96	-	-	Y	9.75	31.75	24.969
3660	30.718	26.248	5.60	Y	-	Y	11.01	31.75	27.969
3661	30.718	26.748	5.71	Y	Y	Y	11.22	31.75	28.469
3662	30.718	27.248	5.81	Y	Y	Y	11.43	31.75	28.969
3666	30.718	29.248	6.24	Y	Y	Y	12.28	31.75	30.969
3672	30.718	32.248	6.88	Y	Y	Y	13.54	31.75	33.969
3678	30.718	35.248	7.52	Y	Y	Y	14.80	31.75	36.969
3684	30.718	38.248	8.16	Y	Y	Y	16.07	31.75	39.969

Egress, Lite and Vent Measurements									
Single Hung									
Size	Egress Width	Egress Height	Sq. Ft. Egress	Egress Code Compliance*			Sq. Ft. Daylite	Screen Size	
				U.S.		Canada		Width	Height
				5.0 ft ²	5.7 ft ²				
4030	34.718	11.248	2.71	-	-	-	5.31	35.75	12.969
4036	34.718	14.248	3.44	-	-	-	6.74	35.75	15.969
4042	34.718	17.248	4.16	-	-	Y	8.18	35.75	18.969
4048	34.718	20.248	4.88	-	-	Y	9.61	35.75	21.969
4054	34.718	23.248	5.61	-	-	Y	11.04	35.75	24.969
4060	34.718	26.248	6.33	Y	Y	Y	12.47	35.75	27.969
4061	34.718	26.748	6.45	Y	Y	Y	12.70	35.75	28.469
4062	34.718	27.248	6.57	Y	Y	Y	12.94	35.75	28.969
4066	34.718	29.248	7.05	Y	Y	Y	13.90	35.75	30.969
4072	34.718	32.248	7.77	Y	Y	Y	15.33	35.75	33.969
4078	34.718	35.248	8.50	Y	Y	Y	16.76	35.75	36.969
4084	34.718	38.248	9.22	Y	Y	Y	18.19	35.75	39.969
4230	36.718	11.248	2.87	-	-	-	5.62	37.75	12.969
4236	36.718	14.248	3.63	-	-	-	7.14	37.75	15.969
4242	36.718	17.248	4.40	-	-	Y	8.65	37.75	18.969
4248	36.718	20.248	5.16	-	-	Y	10.17	37.75	21.969
4254	36.718	23.248	5.93	-	-	Y	11.68	37.75	24.969
4260	36.718	26.248	6.69	Y	Y	Y	13.19	37.75	27.969
4261	36.718	26.748	6.82	Y	Y	Y	13.44	37.75	28.469
4262	36.718	27.248	6.95	Y	Y	Y	13.70	37.75	28.969
4266	36.718	29.248	7.46	Y	Y	Y	14.71	37.75	30.969
4272	36.718	32.248	8.22	Y	Y	Y	16.22	37.75	33.969
4278	36.718	35.248	8.99	Y	Y	Y	17.73	37.75	36.969
4284	36.718	38.248	9.75	Y	Y	Y	19.25	37.75	39.969
4830	42.718	11.248	3.34	-	-	-	6.55	43.75	12.969
4836	42.718	14.248	4.23	-	-	-	8.32	43.75	15.969
4842	42.718	17.248	5.12	-	-	Y	10.08	43.75	18.969
4848	42.718	20.248	6.01	-	-	Y	11.84	43.75	21.969
4854	42.718	23.248	6.90	-	-	Y	13.61	43.75	24.969
4860	42.718	26.248	7.79	Y	Y	Y	15.37	43.75	27.969
4861	42.718	26.748	7.93	Y	Y	Y	15.67	43.75	28.469
4862	42.718	27.248	8.08	Y	Y	Y	15.96	43.75	28.969
4866	42.718	29.248	8.68	Y	Y	Y	17.13	43.75	30.969
4872	42.718	32.248	9.57	Y	Y	Y	18.90	43.75	33.969
4878	42.718	35.248	10.46	Y	Y	Y	20.66	43.75	36.969
4884	42.718	38.248	11.35	Y	Y	Y	22.43	43.75	39.969



Egress Conversions	
Width	R.O. - 5.282"
Height	R.O. / 2 - 3.752"

* Egress Code Compliance Terminology

- Y Meets Code
- Does Not Meet Code

Code	Min	Min	Min Area
U.S.	20"	24"	5.7
U.S. Grade Floor	20"	24"	5.0
Canada	15"	15"	3.77
Canada	15"	15"	3.77

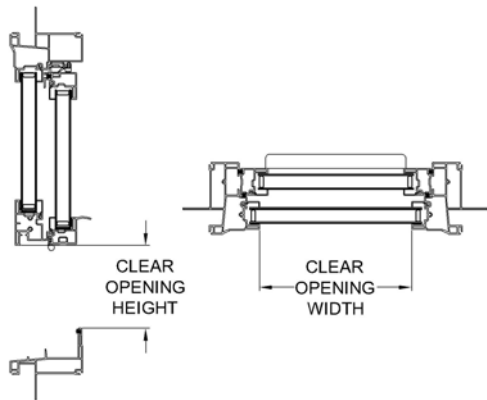
Next Dimension Classic Series

SINGLE HUNG

EGRESS, LITE & SCREEN MEASUREMENTS

Egress, Lite and Vent Measurements									
Single Hung Cottage									
Size	Egress Width	Egress Height	Sq. Ft. Egress	Egress Code Compliance*			Sq. Ft. Daylite	Screen Size	
				U.S.		Canada		Width	Height
				5.0 ft ²	5.7 ft ²				
2460	18.718	20.248	2.63	-	-	-	6.62	19.75	33.969
2461	18.718	20.748	2.70	-	-	-	6.75	19.75	34.469
2462	18.718	21.248	2.76	-	-	-	6.88	19.75	34.969
2466	18.718	23.248	3.02	-	-	-	7.39	19.75	36.969
2472	18.718	26.248	3.41	-	-	-	8.15	19.75	39.969
3060	24.718	20.248	3.48	-	-	-	8.80	25.75	33.969
3061	24.718	20.748	3.56	-	-	-	8.97	25.75	34.469
3062	24.718	21.248	3.65	-	-	-	9.14	25.75	34.969
3066	24.718	23.248	3.99	-	-	Y	9.82	25.75	36.969
3072	24.718	26.248	4.51	-	-	Y	10.83	25.75	39.969
3260	26.718	20.248	3.76	-	-	Y	9.53	27.75	33.969
3261	26.718	20.748	3.85	-	-	Y	9.71	27.75	34.469
3262	26.718	21.248	3.94	-	-	Y	9.89	27.75	34.969
3266	26.718	23.248	4.31	-	-	Y	10.63	27.75	36.969
3272	26.718	26.248	4.87	-	-	Y	11.72	27.75	39.969
3660	30.718	20.248	4.32	-	-	Y	10.98	31.75	33.969
3661	30.718	20.748	4.43	-	-	Y	11.19	31.75	34.469
3662	30.718	21.248	4.53	-	-	Y	11.40	31.75	34.969
3666	30.718	23.248	4.96	-	-	Y	12.24	31.75	36.969
3672	30.718	26.248	5.60	Y	-	Y	13.51	31.75	39.969
4060	34.718	20.248	4.88	-	-	Y	12.43	35.75	33.969
4061	34.718	20.748	5.00	-	-	Y	12.67	35.75	34.469
4062	34.718	21.248	5.12	-	-	Y	12.91	35.75	34.969
4066	34.718	23.248	5.61	-	-	Y	13.86	35.75	36.969
4072	34.718	26.248	6.33	Y	Y	Y	15.29	35.75	39.969
4260	36.718	20.248	5.16	-	-	Y	13.16	37.75	33.969
4261	36.718	20.748	5.29	-	-	Y	13.41	37.75	34.469
4262	36.718	21.248	5.42	-	-	Y	13.66	37.75	34.969
4266	36.718	23.248	5.93	-	-	Y	14.67	37.75	36.969
4272	36.718	26.248	6.69	Y	Y	Y	16.19	37.75	39.969
4860	42.718	20.248	6.01	-	-	Y	15.34	43.75	33.969
4861	42.718	20.748	6.15	-	-	Y	15.63	43.75	34.469
4862	42.718	21.248	6.30	-	-	Y	15.93	43.75	34.969
4866	42.718	23.248	6.90	-	-	Y	17.10	43.75	36.969
4872	42.718	26.248	7.79	Y	Y	Y	18.87	43.75	39.969

Egress, Lite and Vent Measurements									
Single Hung Oriel									
Size	Egress Width	Egress Height	Sq. Ft. Egress	Egress Code Compliance*			Sq. Ft. Daylite	Screen Size	
				U.S.		Canada		Width	Height
				5.0 ft ²	5.7 ft ²				
2460	18.718	20.248	2.63	-	-	-	6.69	19.75	21.969
2461	18.718	20.748	2.70	-	-	-	6.82	19.75	22.469
2462	18.718	21.248	2.76	-	-	-	6.94	19.75	22.969
2466	18.718	23.248	3.02	-	-	-	7.45	19.75	24.969
2472	18.718	26.248	3.41	-	-	-	8.22	19.75	27.969
3060	24.718	20.248	3.48	-	-	-	8.87	25.75	21.969
3061	24.718	20.748	3.56	-	-	-	9.04	25.75	22.469
3062	24.718	21.248	3.65	-	-	-	9.21	25.75	22.969
3066	24.718	23.248	3.99	-	-	Y	9.88	25.75	24.969
3072	24.718	26.248	4.51	-	-	Y	10.89	25.75	27.969
3260	26.718	20.248	3.76	-	-	Y	9.59	27.75	21.969
3261	26.718	20.748	3.85	-	-	Y	9.78	27.75	22.469
3262	26.718	21.248	3.94	-	-	Y	9.96	27.75	22.969
3266	26.718	23.248	4.31	-	-	Y	10.69	27.75	24.969
3272	26.718	26.248	4.87	-	-	Y	11.79	27.75	27.969
3660	30.718	20.248	4.32	-	-	Y	11.05	31.75	21.969
3661	30.718	20.748	4.43	-	-	Y	11.26	31.75	22.469
3662	30.718	21.248	4.53	-	-	Y	11.47	31.75	22.969
3666	30.718	23.248	4.96	-	-	Y	12.31	31.75	24.969
3672	30.718	26.248	5.60	Y	-	Y	13.57	31.75	27.969
4060	34.718	20.248	4.88	-	-	Y	12.50	35.75	21.969
4061	34.718	20.748	5.00	-	-	Y	12.74	35.75	22.469
4062	34.718	21.248	5.12	-	-	Y	12.98	35.75	22.969
4066	34.718	23.248	5.61	-	-	Y	13.93	35.75	24.969
4072	34.718	26.248	6.33	Y	Y	Y	15.36	35.75	27.969
4260	36.718	20.248	5.16	-	-	Y	13.22	37.75	21.969
4261	36.718	20.748	5.29	-	-	Y	13.48	37.75	22.469
4262	36.718	21.248	5.42	-	-	Y	13.73	37.75	22.969
4266	36.718	23.248	5.93	-	-	Y	14.74	37.75	24.969
4272	36.718	26.248	6.69	Y	Y	Y	16.25	37.75	27.969
4860	42.718	20.248	6.01	-	-	Y	15.40	43.75	21.969
4861	42.718	20.748	6.15	-	-	Y	15.70	43.75	22.469
4862	42.718	21.248	6.30	-	-	Y	15.99	43.75	22.969
4866	42.718	23.248	6.90	-	-	Y	17.17	43.75	24.969
4872	42.718	26.248	7.79	Y	Y	Y	18.93	43.75	27.969



Egress Conversions - Cottage	
Width	R.O. - 5.282"
Height	R.O. / 2 - 9.752"

Egress Conversions - Oriel	
Width	R.O. - 5.282"
Height	R.O. / 2 - 9.752"

*** Egress Code Compliance Terminology**

- Y Meets Code
- Does Not Meet Code

Code Requirements	Min Width	Min Height	Min Area (sq.ft.)
U.S.	20"	24"	5.7
U.S. Grade Floor	20"	24"	5.0
Canada	15"	15"	3.77