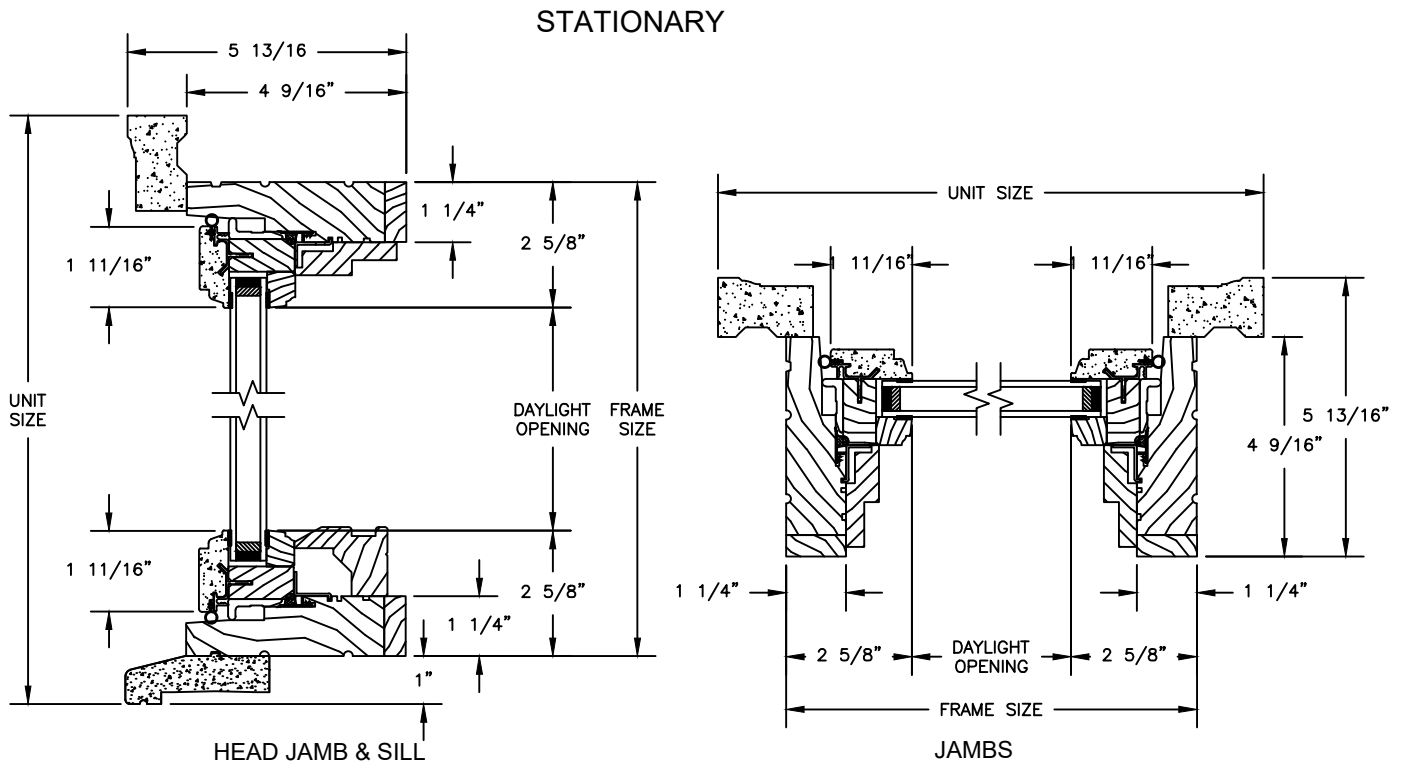
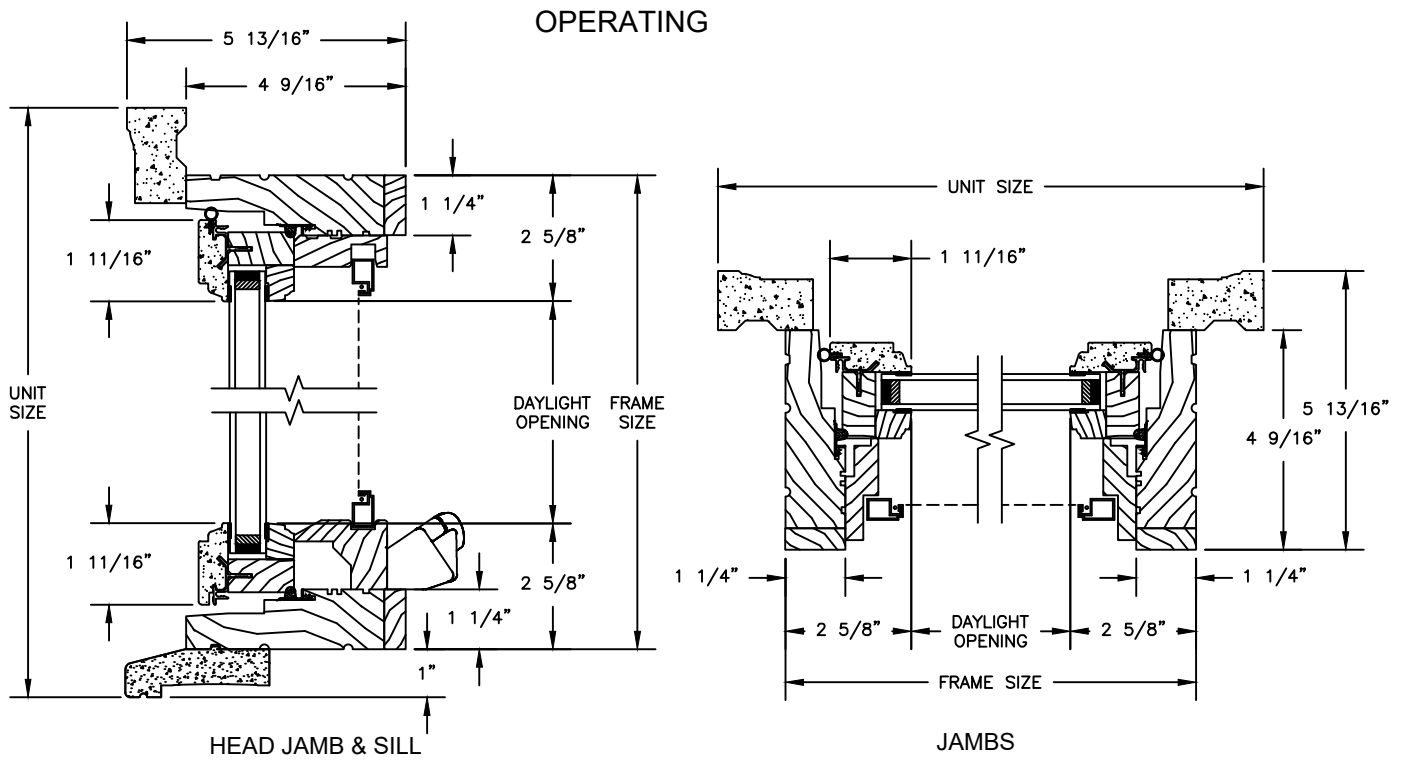


# Pinnacle Series

## PRIMED CASEMENT

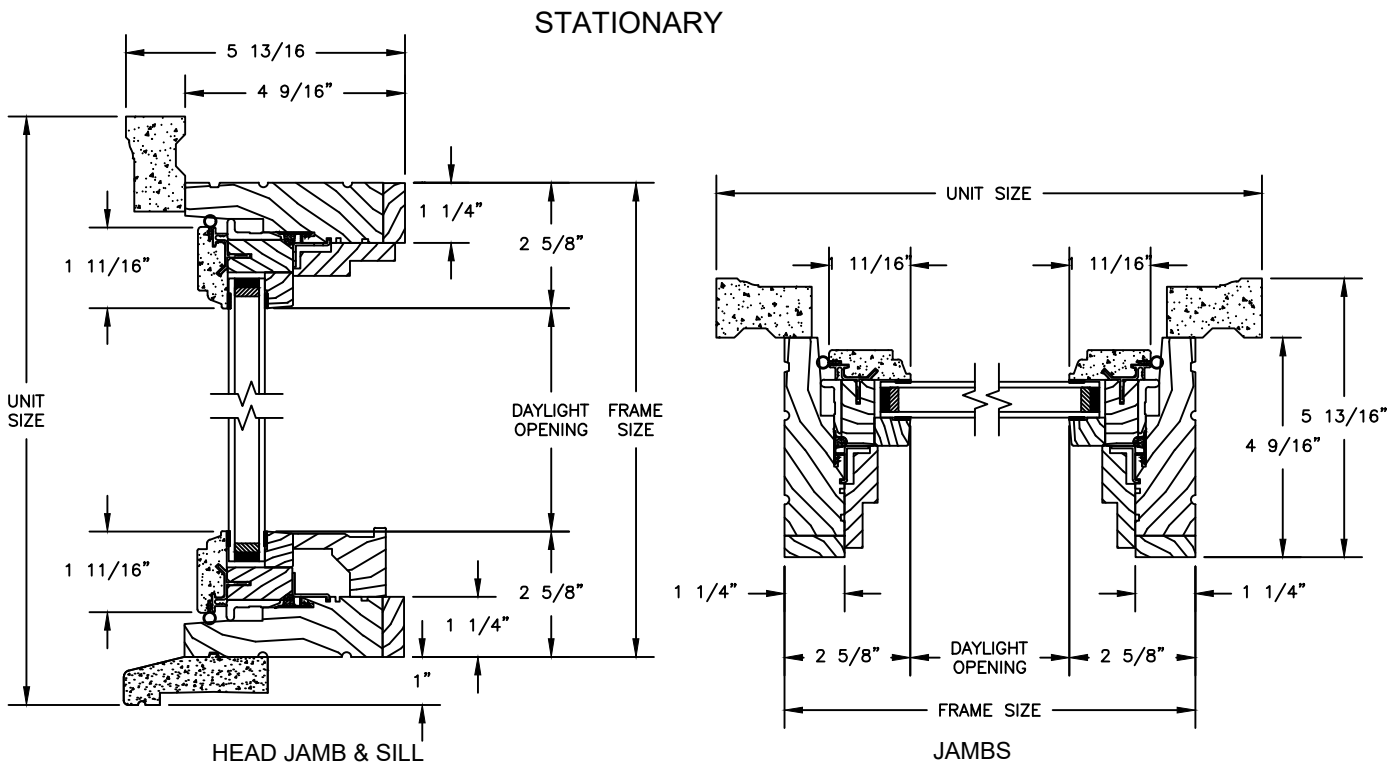
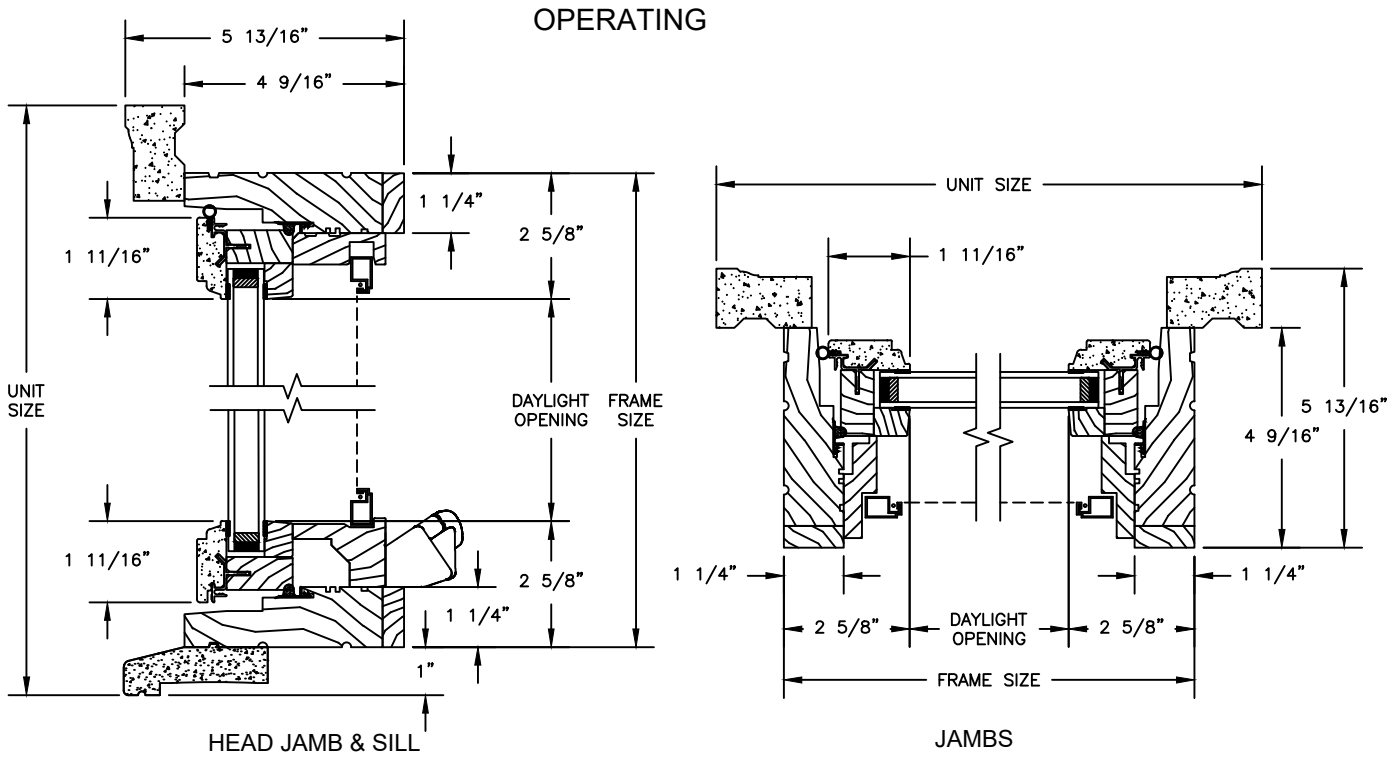
SECTION DETAILS : OPERATING / STATIONARY  
 SCALE: 3" = 1'-0"



# Pinnacle Series

## PRIMED CASEMENT

SECTION DETAILS : OPERATING / STATIONARY WITH CONTEMPORARY STOPS  
 SCALE: 3" = 1'-0"



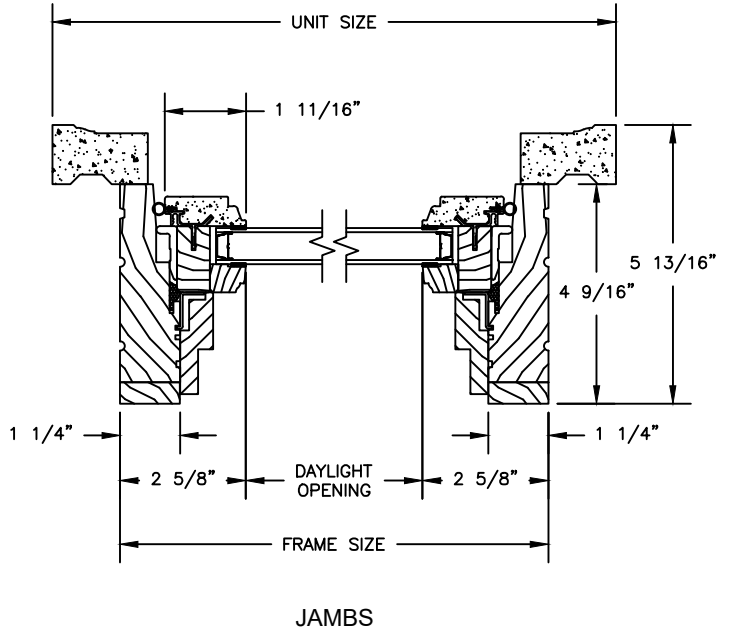
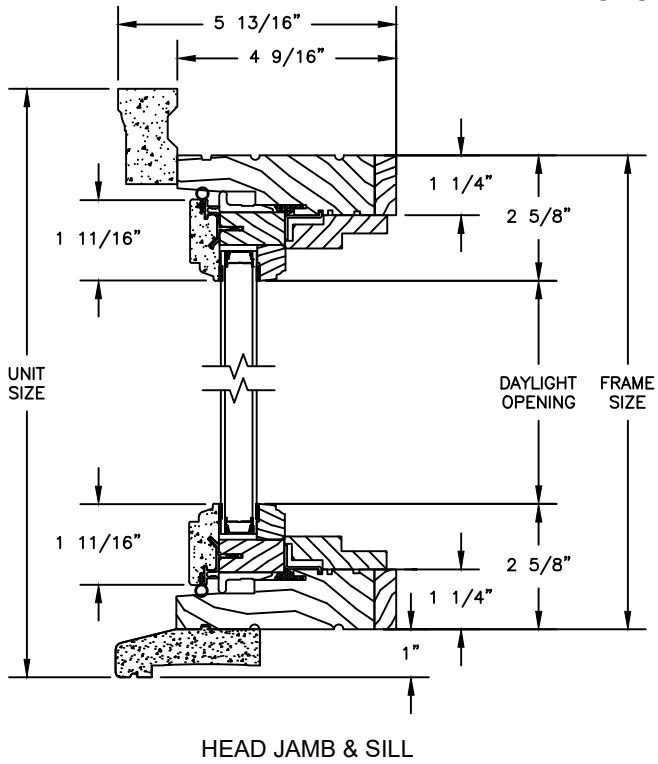
# Pinnacle Series

## PRIMED CASEMENT

SECTION DETAILS : PICTURE

SCALE: 3" = 1'-0"

PICTURE

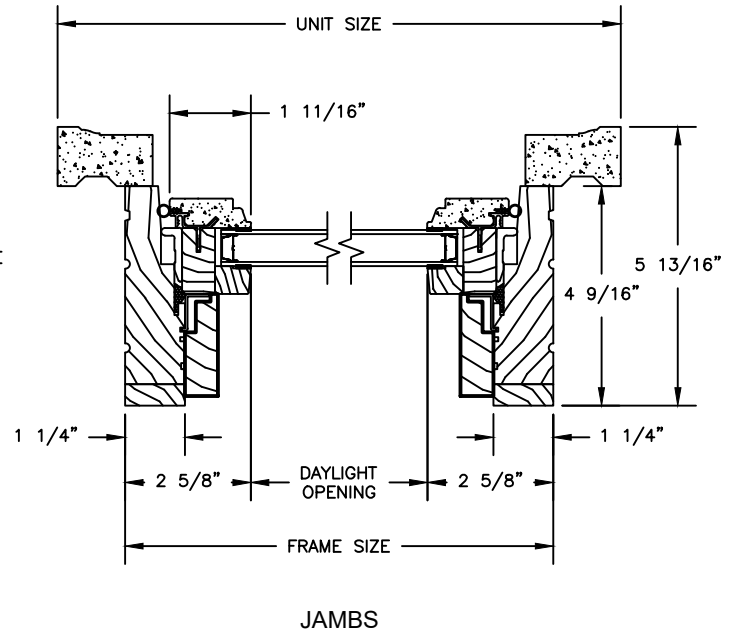
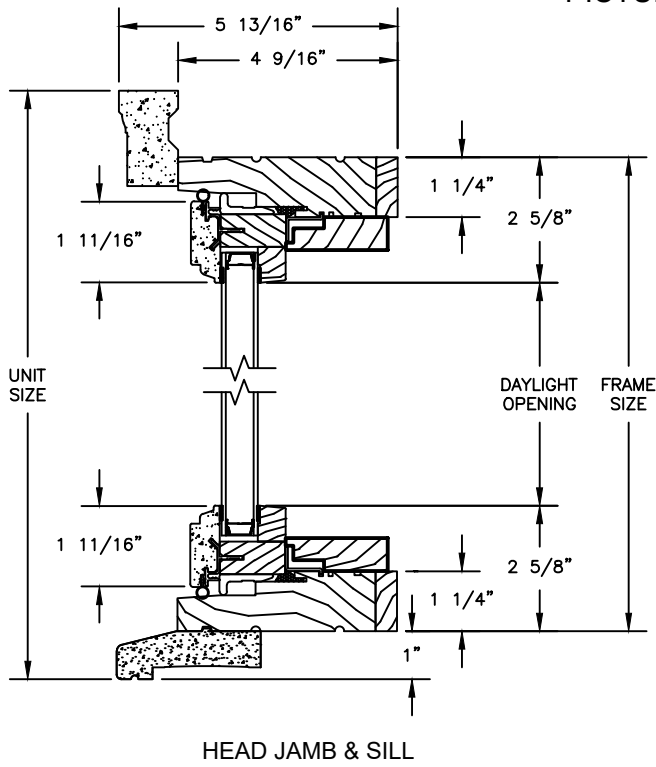


# Pinnacle Series

## PRIMED CASEMENT

SECTION DETAILS : PICTURE WITH CONTEMPORARY STOPS  
 SCALE: 3" = 1'-0"

PICTURE

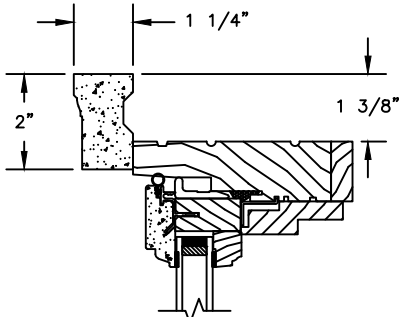


# Pinnacle Series

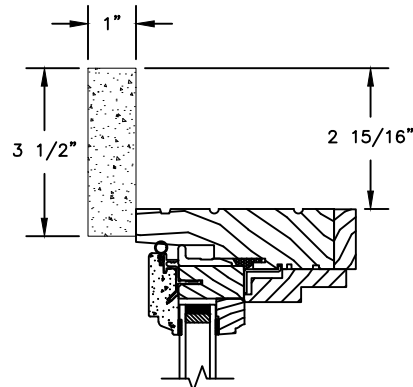
## PRIMED CASEMENT

SECTION DETAILS : CASING OPTIONS

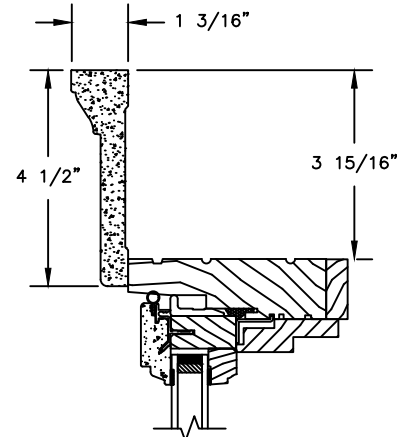
SCALE: 3" = 1'-0"



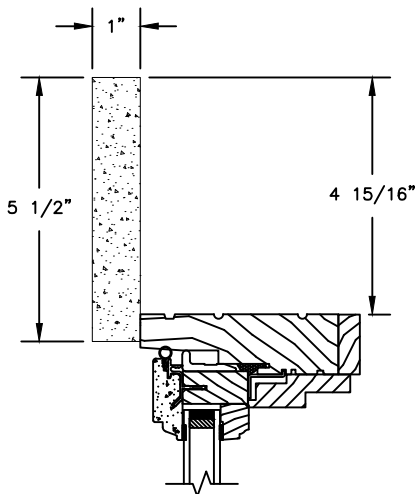
HEAD JAMB WITH  
STANDARD 180 BRICKMOULD



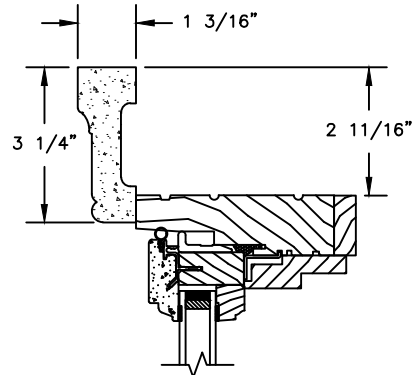
HEAD JAMB WITH  
3 1/2" FLAT CASING



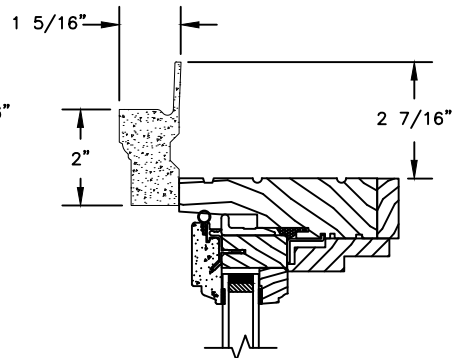
HEAD JAMB WITH  
4 1/2" BACKBAND



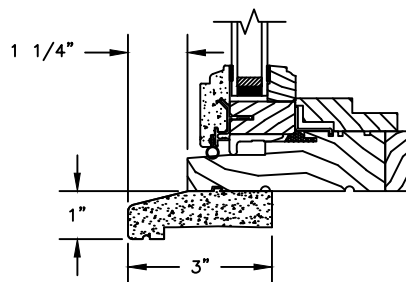
HEAD JAMB WITH  
5 1/2" FLAT CASING



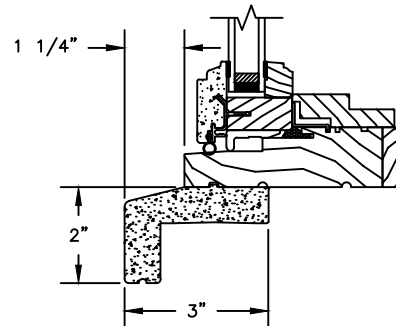
HEAD JAMB WITH  
WILLIAMSBURG BRICKMOULD



HEAD JAMB WITH  
180 FLANGED BRICKMOULD



SILL WITH STANDARD SUBSILL

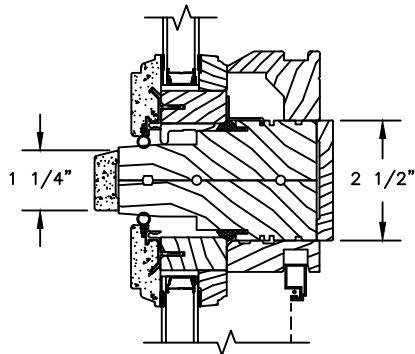


SILL WITH 2" SUBSILL

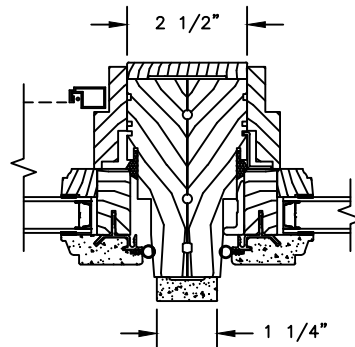
# Pinnacle Series

## PRIMED CASEMENT

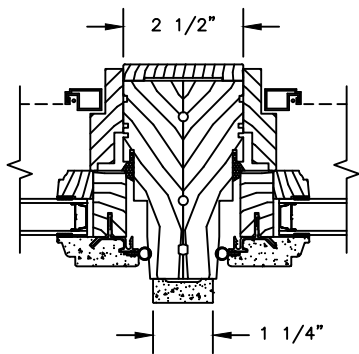
SECTION DETAILS : MULLIONS  
 SCALE: 3" = 1'-0"



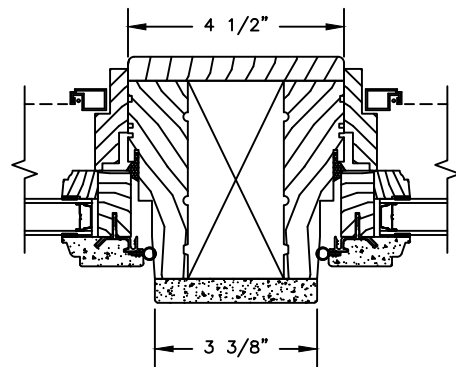
HORIZONTAL MULLION  
 STATIONARY/OPERATOR



VERTICAL MULLION  
 OPERATOR/PICTURE



VERTICAL MULLION  
 OPERATOR/OPERATOR



VERTICAL MULLION WITH  
 2" SPREAD MULL  
 ADDITIONAL WIDTHS INCLUDE:  
 1" - 5"

# Pinnacle Series

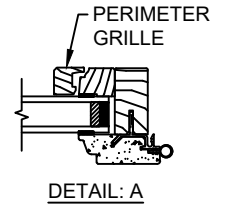
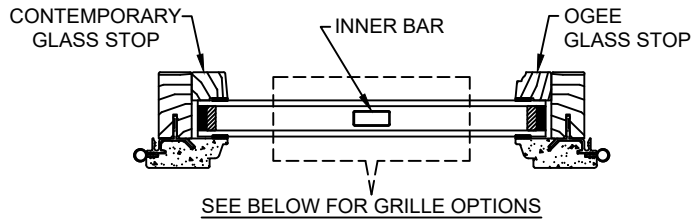
## PRIMED CASEMENT

SECTION DETAILS : GLASS STOP & DIVIDED LITE OPTIONS

SCALE: 3" = 1'-0"

AVAILABLE STYLES

-  - PUTTY
-  - TALL PUTTY
-  - OGEE
-  - CONTEMPORARY

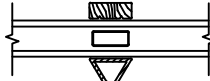
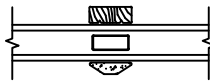
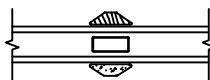
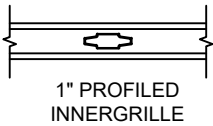
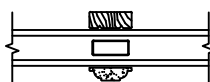
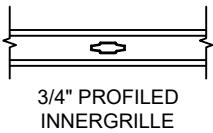
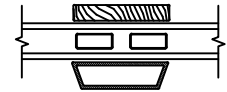
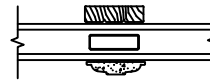
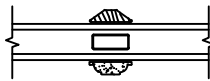
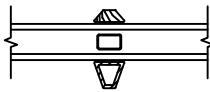
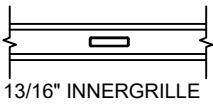
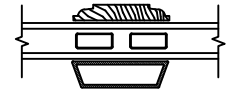
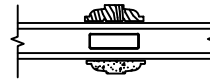
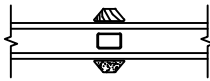


5/8" WDL WITH  
INNER BAR

7/8" WDL WITH  
INNERBAR

1 1/4" WDL WITH  
INNERBAR

2" WDL WITH  
INNERBAR



NOTE:

\* ALL WDL OPTIONS CAN BE ORDERED WITH OR WITHOUT INNER BAR

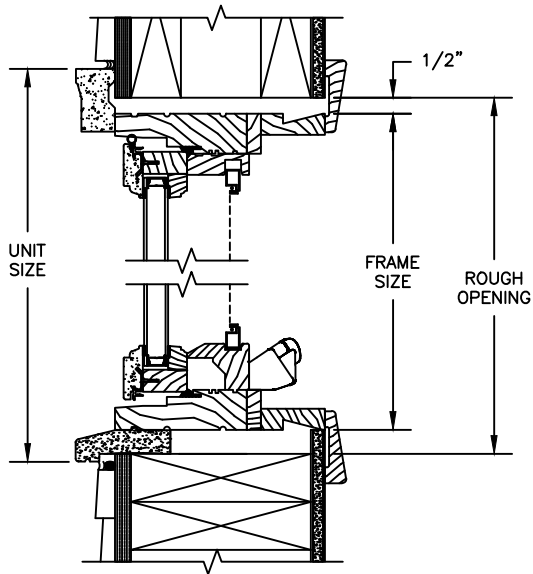
\* PERIMETER GRILLES ONLY AVAILABLE IN THE 7/8" AND 1 1/4" OGEE STYLE GLASS STOP (SEE DETAIL: A)

# Pinnacle Series

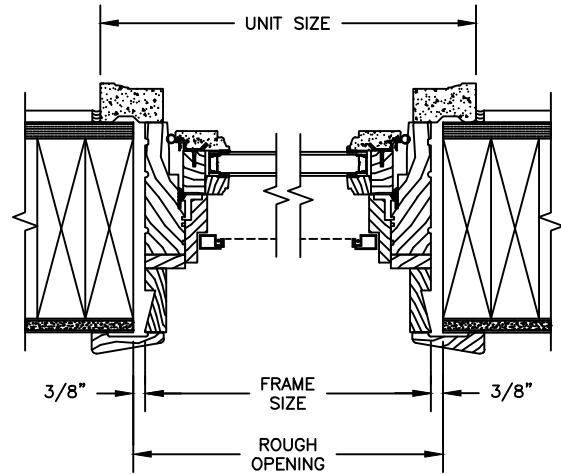
## PRIMED CASEMENT

SECTION DETAILS : CONSTRUCTION

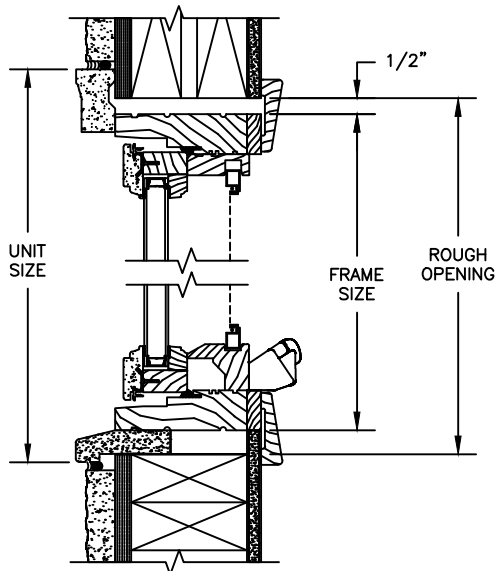
SCALE: 2" = 1'-0"



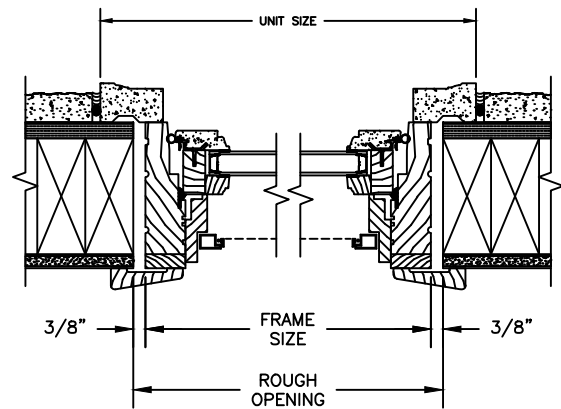
HEAD JAMB & SILL  
2 X 6 FRAME WITH SIDING



JAMBS  
2 X 6 FRAME WITH SIDING



HEAD JAMB & SILL  
2 X 4 FRAME WITH STUCCO



JAMBS  
2 X 4 FRAME WITH STUCCO

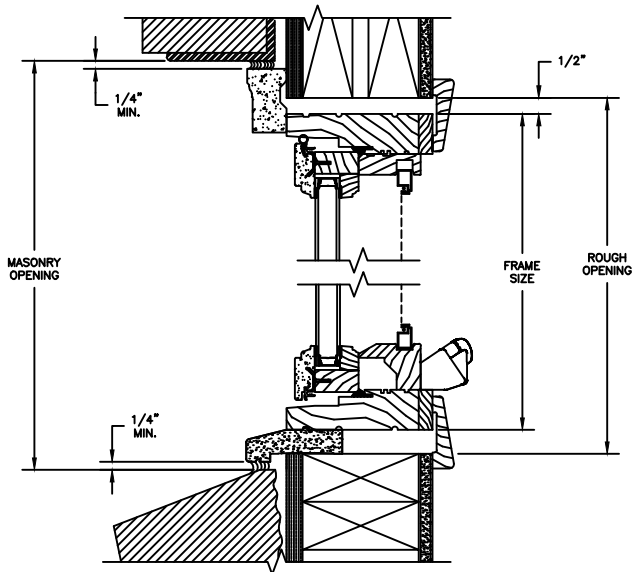
NOTE :  
THE ABOVE WALL SECTIONS REPRESENT TYPICAL WALL CONDITIONS, THESE DETAILS ARE NOT INTENDED AS INSTALLATIONS INSTRUCTIONS. PLEASE REFER TO THE INSTALLATION INSTRUCTIONS PROVIDED WITH THE PURCHASED UNITS.



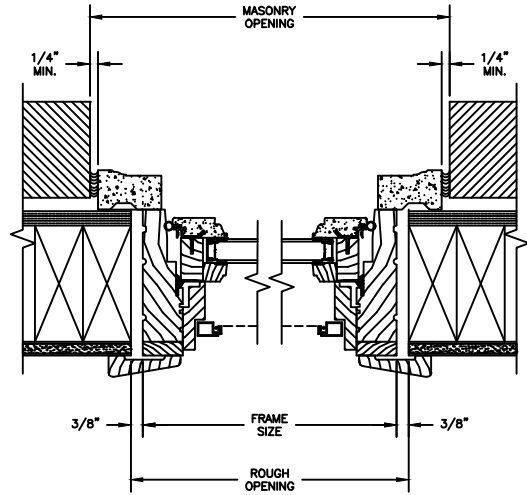
# Pinnacle Series

## PRIMED CASEMENT

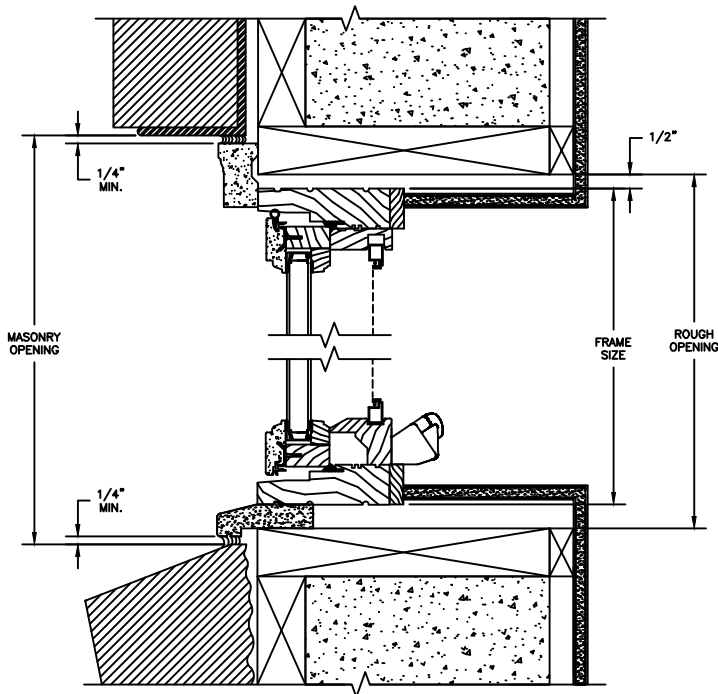
SECTION DETAILS : CONSTRUCTION  
 SCALE: 2" = 1'-0"



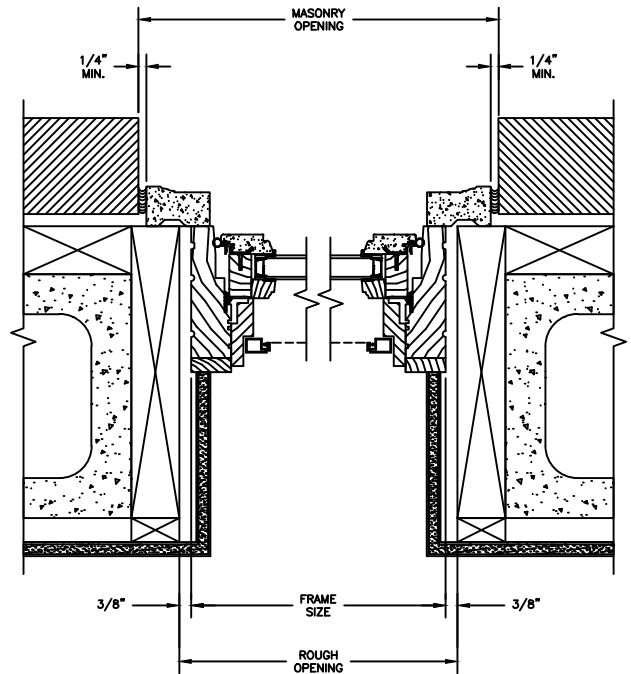
HEAD JAMB & SILL  
 2 X 4 FRAME WITH BRICK VENEER



JAMBS  
 2 X 4 FRAME WITH BRICK VENEER



HEAD JAMB & SILL  
 8" CONCRETE BLOCK WALL  
 WITH BRICK VENEER



JAMBS  
 8" CONCRETE BLOCK WALL  
 WITH BRICK VENEER

NOTE:  
 THE ABOVE WALL SECTIONS REPRESENT TYPICAL WALL CONDITIONS, THESE DETAILS ARE NOT INTENDED AS INSTALLATIONS INSTRUCTIONS. PLEASE REFER TO THE INSTALLATION INSTRUCTIONS PROVIDED WITH THE PURCHASED UNITS.

# Pinnacle Series

## PRIMED CASEMENT

SECTION DETAILS : 30/45 DEGREES BAY  
 SCALE: 2" = 1'-0"

